

DILA

UNIVERSAL DECKING CONNECTOR



The robust universal hidden fastening system **DILA** can be reliably used for decking applications regardless of board dimensions.

Rear mounting of the connector to the board is facilitated by an integrated mounting guide which allows easy positioning.

Freely selectable joint spacing, adapted to the board width and its characteristics, allows perfect decking appearance and design. No additional start or end connectors are required.

The fastening system is characterized by a sliding and fixed-point installation method: Natural swelling and shrinking movements are optimally controlled and regulated.

The substructure can be made of wood, wood-like materials or materials or aluminium.

OVERVIEW

Dimensions: Length 54 mm | Width 28 mm | Height 6 mm
Freely selectable joint spacing

Material: Stainless steel
Optional black surface coating
UNIA System screw
hardened stainless steel

Fastening type: Sliding and fixed-point fixation

Decking profile: Native and modified wood species
Smooth-edged decking boards
Thickness 19-32 mm

DILA		
Description	PU	Prod. No.
17mm	50 PCS	006603000
17mm	200 PCS	006605000
17mm	800 PCS	006612000
22mm	50 PCS	006703000
22mm	200 PCS	006705000
22mm	800 PCS	006712000

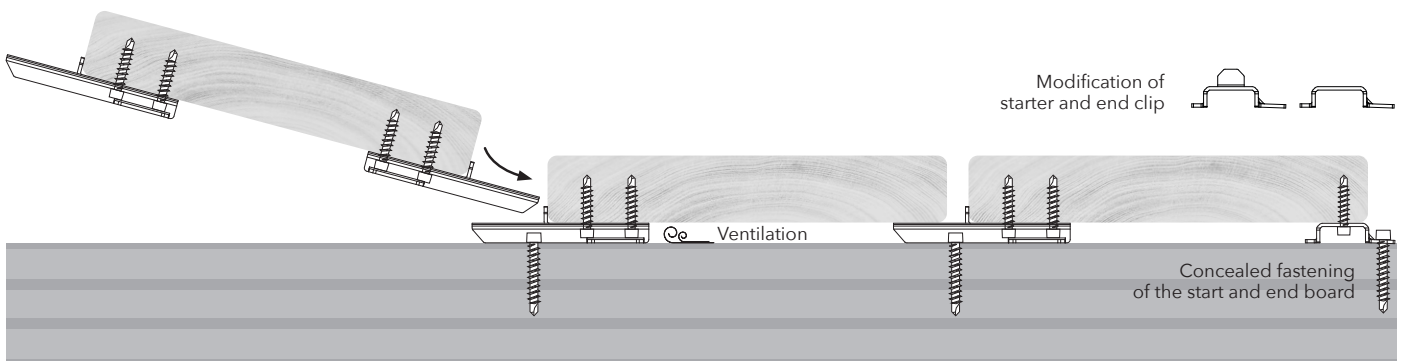
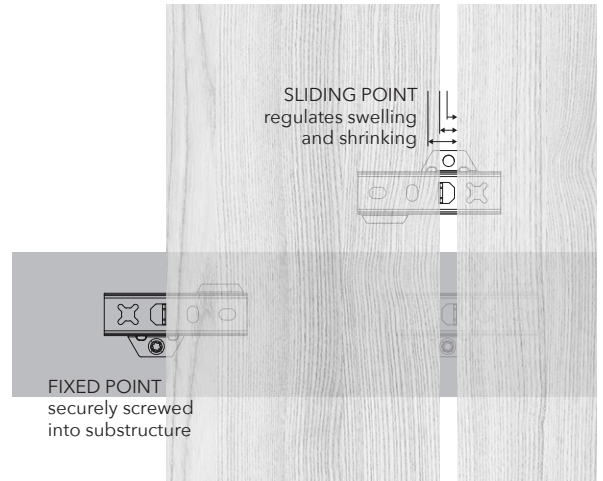
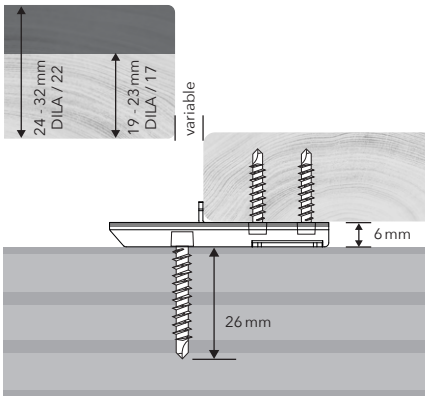
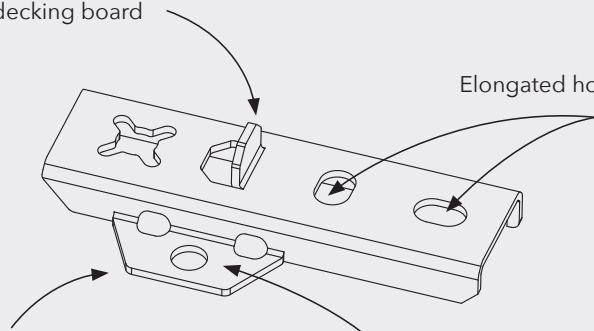
DILA black		
Description	PU	Prod. No.
17mm	50 PCS	006803001
17mm	200 PCS	006805000
17mm	800 PCS	006812000
22mm	50 PCS	006903000
22mm	200 PCS	006905000
22mm	800 PCS	006912000

Integrated assembly guide for easy positioning of the decking board

Elongated holes for precise positioning and position correction

Side fixing of the bracket eliminates the risk of the clip being pushed into wooden substructures

Side mounting allows for easy board replacement



BRANDING
Custom branding upon request



SET-PACK
Each packaging contains the UNIA1 system screws 4.2x17 mm or 4.2x22 mm and 4.2x28 mm required for installation, 1 pc. HELPO assembly aid and assembly instructions

DOWNLOADS



Installation



Board exchange



Data sheet



Tips & Tricks



Video