

# DILA C

## UNIVERSAL DECKING CONNECTOR



The **DILA C** concealed decking connector guarantees a very simple and quick installation for decking made of wood or wood-like materials.

The rear screw connection protects the weathered surface of the decking boards, providing optimum structural protection and a stylish design.

Two flexible tension arms compensate for irregularities, such as cupping of the decking board and ensure a secure connection.

A drainage channel integrated in the decking connector additionally prevents the formation of waterlogging between the connector and the substructure.

The fastening system is characterized by a sliding and fixed-point installation method: Natural swelling and shrinking movements are optimally controlled and regulated.

Freely selectable joint spacing adapted to the board width and its characteristics allows for the perfect decking appearance and design.

No additional start- or end-connectors are required.

The substructure can be made of wood, wood-like materials or materials or aluminium.

OVERVIEW	
<b>Dimensions:</b>	Length 60 mm   Width 30 mm   Height 10 mm Freely selectable joint spacing
<b>Material:</b>	PA6 30GF Polyamide, glass fibre reinforced UV and weather resistant UNIA System screw hardened stainless steel
<b>Fastening type:</b>	Sliding and fixed-point fixation
<b>Decking profile:</b>	Native and modified wood species Smooth-edged decking boards Thickness 19 - 32 mm

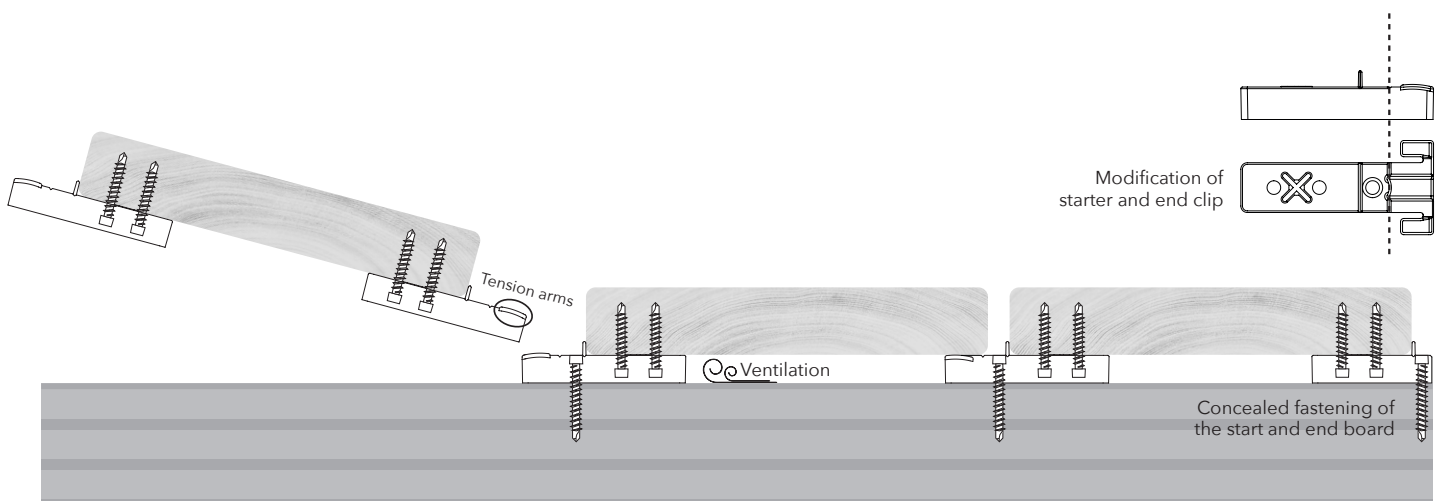
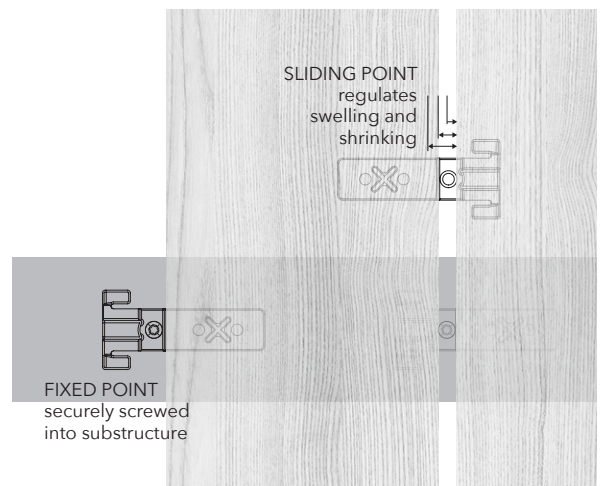
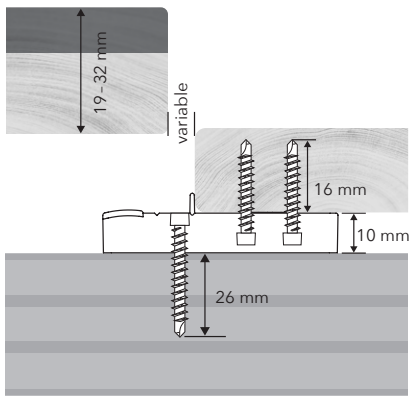
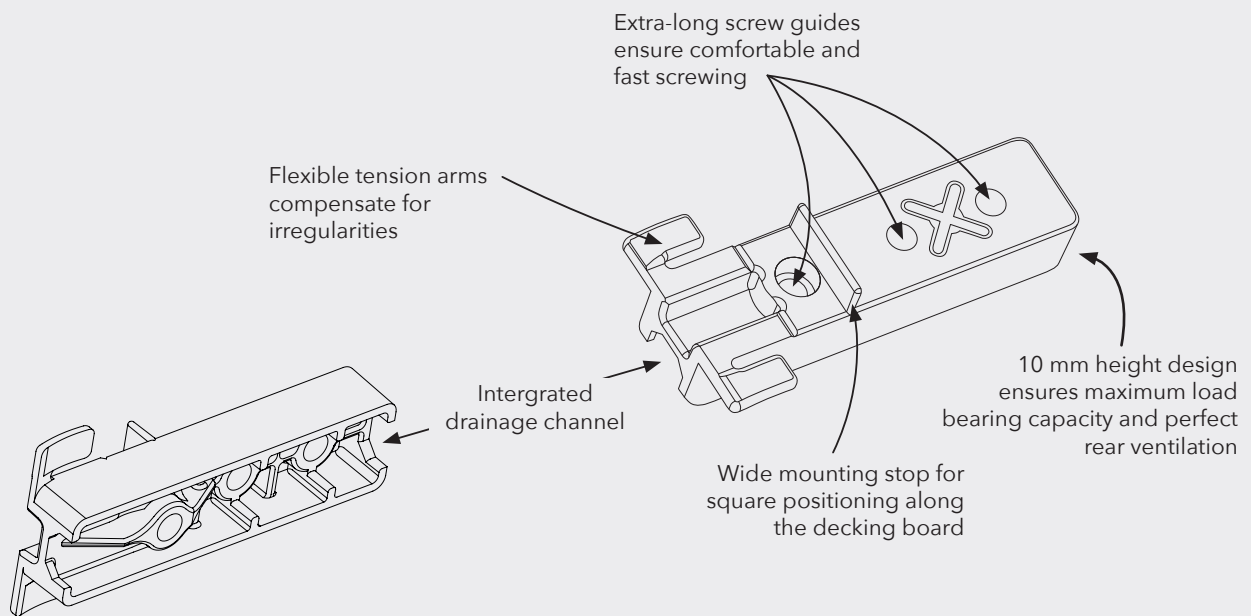
DILA C	
PU	Prod. No.
100 PCS	017005000
300 PCS	017011000
900 PCS	017013000

**BRANDING**  
Custom branding  
upon request



**SET-PACK**  
Each packaging contains the UNIA1 system  
screws 4.2x22mm and 4.2x33mm required for installation,  
1 pc. HELPO assembly aid and assembly instructions





**DOWNLOADS**



Installation



Board exchange



Data sheet



Tips & Tricks



Video