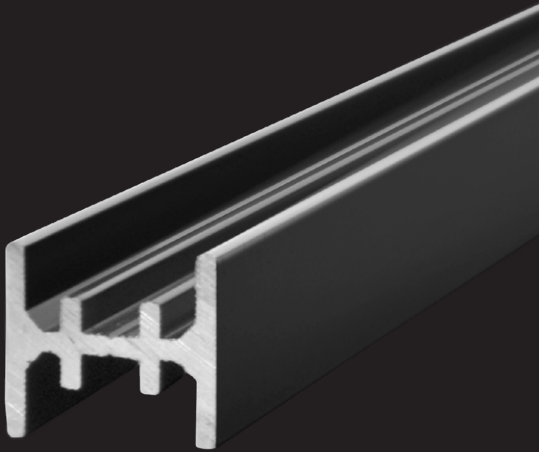


FASADO

FACADE CONNECTOR



The **FASADO** Façade Connector enables quick and easy installation of vertically arranged façade battens and horizontally arranged rhombus profiles for cladding, fencing, or privacy screen construction.

The 360 mm long connector permits several façade boards or rhombus profiles to be pre-mounted at one time. Only 5 connectors are required per m².

The symmetrical connector design features a two-sided channel including an integrated V-groove for guided and efficient screw placement. Pre-drilling of the screw hole is not normally required.

The exposed visible surface remains protected and intact from weathering due to the rear screw fixing. This ensures the best structural protection and at the same time results in a stylish design.

If required, the façade connector can be easily adjusted to the required length, e.g. for an end connection or for batten façade applications.

OVERVIEW

Material:	Aluminium EN AW 6060 T66 Powder coated black RAL 9005 System screw UNIA hardened stainless steel
Fire rating:	Assured by metal connectors
Fastening type:	Concealed fixed point fixation
Façade profile:	Natural and modified wood species Rhombus - Square-edged profiles

FASADO		
Description	PU	Prod. No.
without Accs.	25 PCS	016805000

FASADO-SETS		
Description	PU	Prod. No.
28 mm - 100	25 PCS	016805001
28 mm - 200	25 PCS	016805002
33 mm - 100	25 PCS	016805003
33 mm - 200	25 PCS	016805004



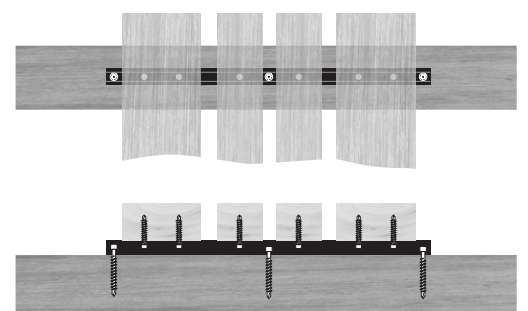
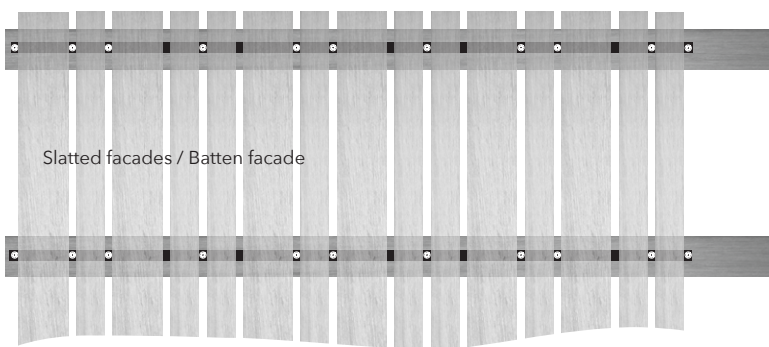
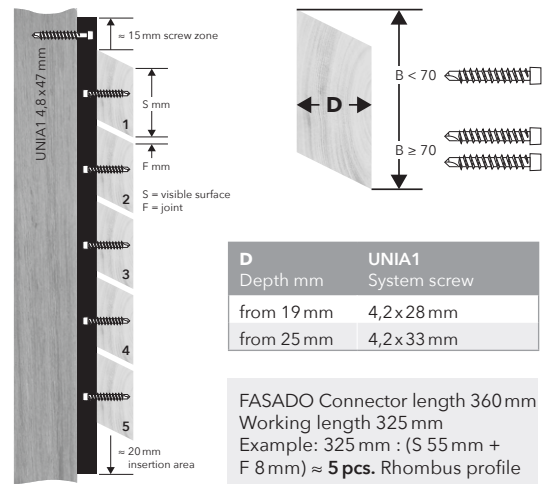
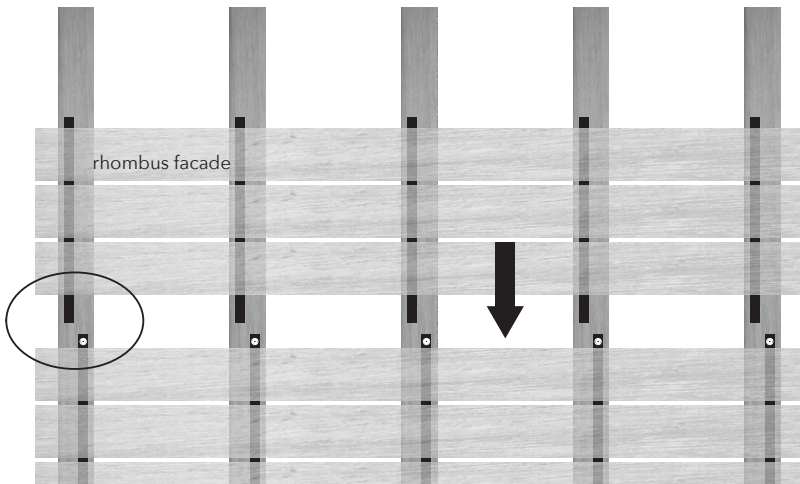
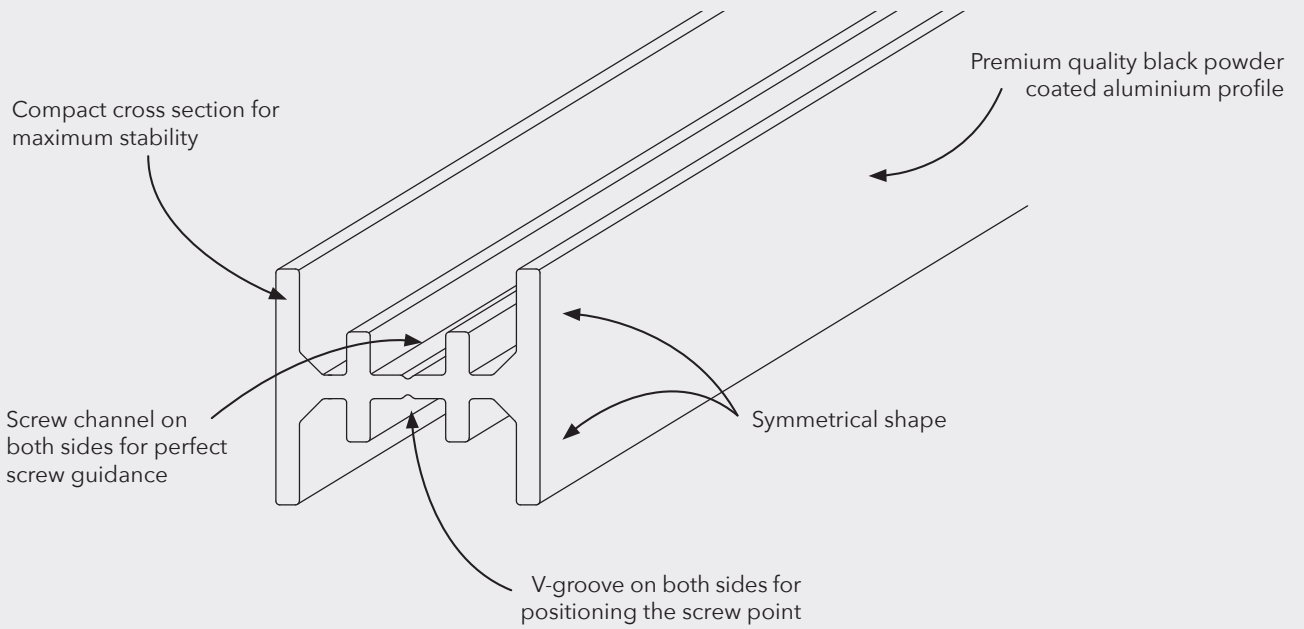
SET-PACK

Each pack contains the UNIA1 4.2 x 28 mm or 4.2 x 33 mm system screws required for installation (100 or 200 pieces) and 25 UNIA1 4.8 x 47 mm screws including assembly instructions.



BRANDING

Custom branding upon request



The wooden battens are fixed at the back with one or two screws, depending on the width of the batten. The fixing to the sub-structure is carried out between the wooden battens.

DOWNLOADS

Installation Data sheet Tips & Tricks