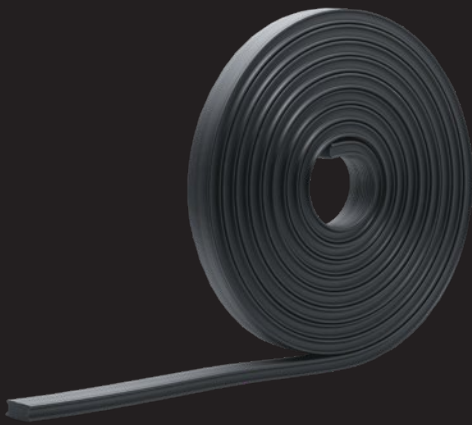


GUMO D

DISTANCE BAND



GUMO D Distance Band on a roll provides optimum ventilation, eliminating the risk of water and dirt accumulating between the decking boards and the substructure.

The narrow width design of only 15mm permits (minimal contact area between the decking board and substructure) perfect structural protection.

The 6 mm height extension allows screw flexibility thus absorbing the swelling and shrinking effects drastically reducing the risk of shearing.

The ribbed surface provides shock absorbing benefits with excellent grip for visible screw connections. The material of GUMO D is screw through for easy installation.

The solid material is extremely resilient to compression loads exerted during screw installation, thus keeping the deck surface level and flush.

A practical and handy roll of 10 running meters ensures a simple and fast assembly process.

OVERVIEW

Dimensions:	Roll length 10 m Width 15 mm Height 6 mm
Material:	Thermoplastic Recycled black UV and weather resistant
Fastening type:	Distance spacer for visible screw connections

GUMO D

Description	PU	Prod. No.
Roll 10 metres	8 ROL	007113000

BRANDING
Custom branding
upon request

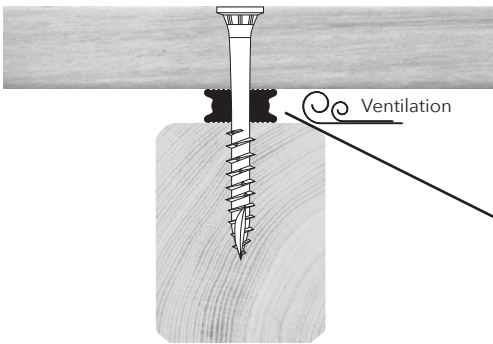
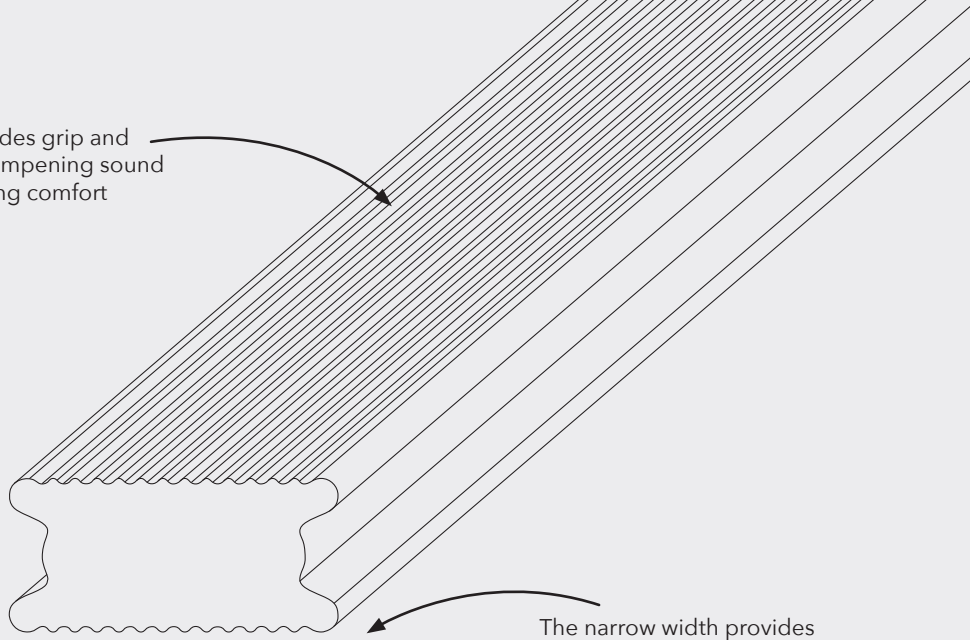


Ribbed surface provides grip and shock absorption, dampening sound and increasing walking comfort

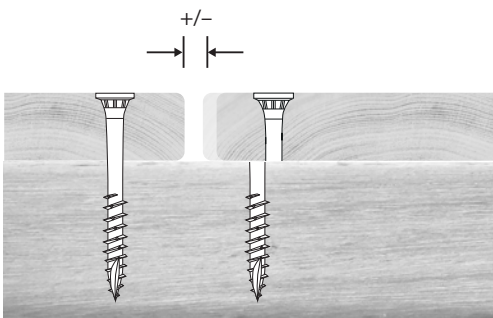
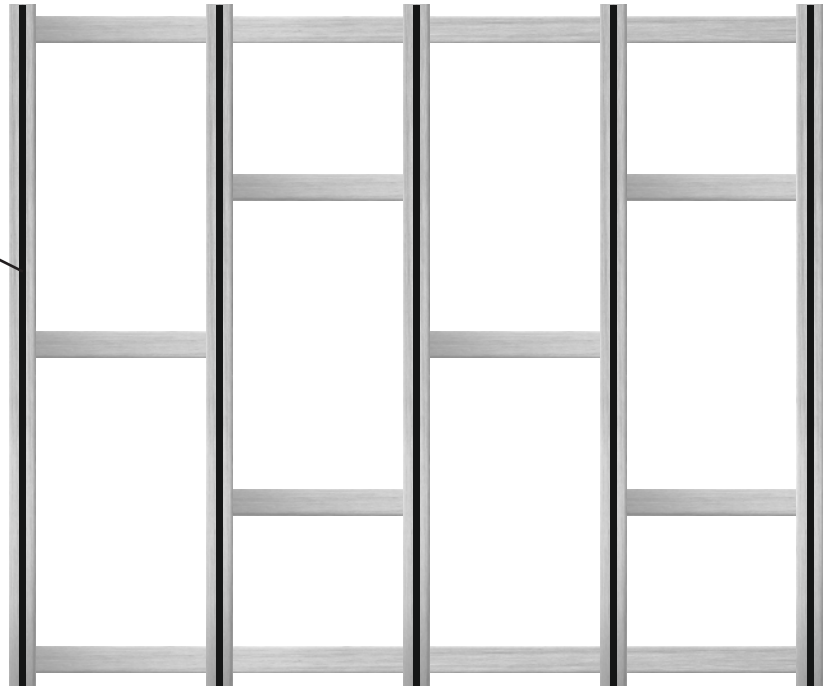
Screw-through material allows free and easy positioning during the screw installation

Distance band resilient to high compression loads

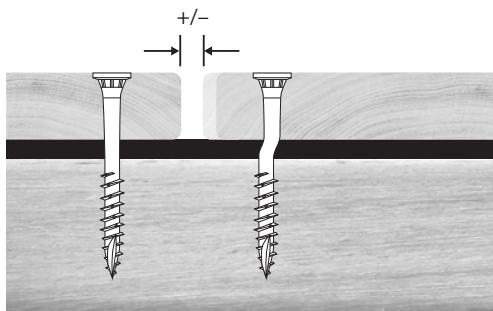
The narrow width provides structural protection



Decking and facade substructures



Shearing without GUMO D ✘



GUMO D reduces the shear forces by 50% ✔

DOWNLOADS



Data sheet



Tips & Tricks