

# LIFTO

## ADJUSTABLE PEDESTAL



Terrace substructures made of wood, wood-based materials or aluminium are simply, quickly and precisely levelled with the **LIFTO** terrace pedestal.

The continuously variable height adjustment offers millimetre accuracy allowing timesaving benefits and an easy assembly process.

Height differences of 35 - 135 mm can be extended to 295 mm with simple height adapters.

The X-shaped base plate is variable in position and secure in place. The special shape allows for close edge positioning, for example against a wall, or for close alignment of parallel joists when connecting board ends. The X-shaped base plate is easy to use and has advantages over standard round base plates.

The high load-bearing capacity of the LIFTO pedestal is achieved through reinforced tubular walls, precision moulded threads and connection adapters. This ensures a durable and stable base.

LIFTO 35 - 55 mm	
PU	Prod. No.
10 PCS	005511000
30 PCS	005513000
125 PCS	005514000*
200 PCS	005515001**

LIFTO 55 - 95 mm	
PU	Prod. No.
90 PCS	005514015*
150 PCS	005515010**

LIFTO 95 - 135 mm	
PU	Prod. No.
60 PCS	005514015*
120 PCS	005515015**

LIFTO A20 mm	
PU	Prod. No.
10 PCS	005604000
60 PCS	005611000
650 PCS	005600001*

LIFTO A60 mm	
PU	Prod. No.
5 PCS	033004000
20 PCS	033011000
250 PCS	033014000*

LIFTO A40 mm	
PU	Prod. No.
5 PCS	005704000
30 PCS	005711000
350 PCS	005700001*

LIFTO A80 mm	
PU	Prod. No.
5 PCS	033105000
16 PCS	033111000
175 PCS	033114000*



**BRANDING**  
Custom branding upon request

\* No branding possible  
\*\* Pedestals not pre-assembled

### DOWNLOADS



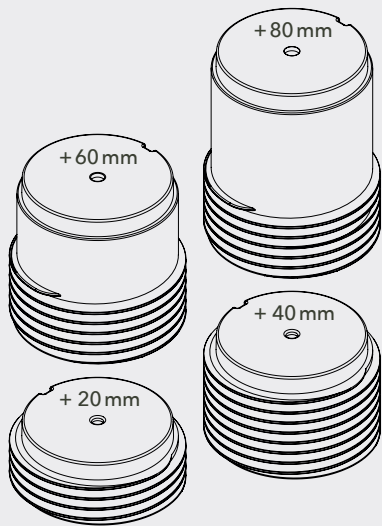
Data sheet



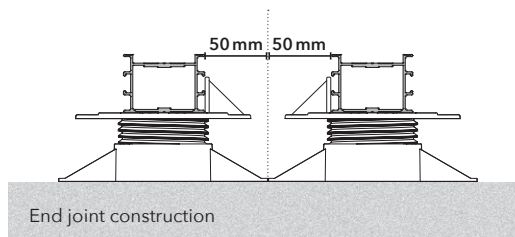
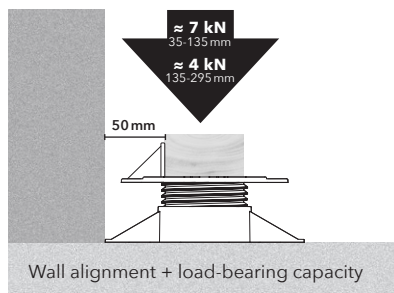
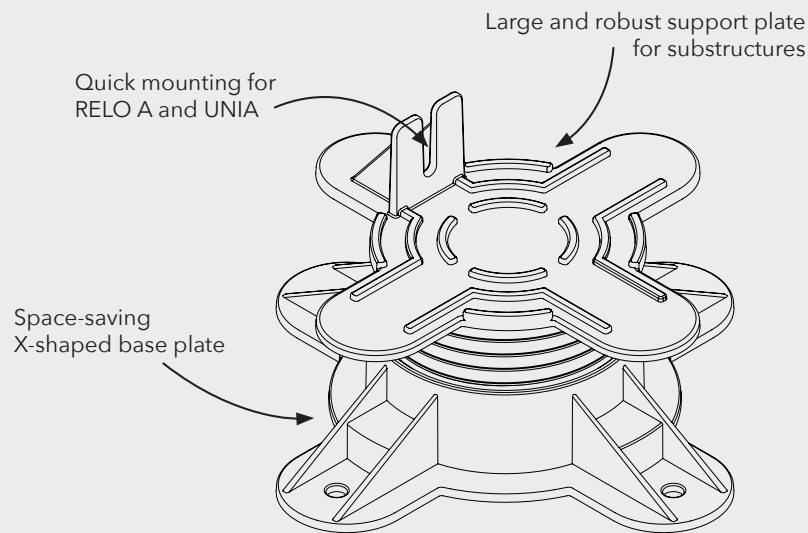
Tips & Tricks



Video



Simple intermediate adapters, for extending the height adjustment, provide maximum flexibility in assembly and storage



Application	Concrete foundation / stone slabs	Position LIFTO directly on foundation or stone slabs	Image A
	Gravel or crushed stone	Position LIFTO on compacted concrete slabs	Image B
	Soil	Position LIFTO on compacted concrete slabs	Image C
	Insulated flat roofs	Position LIFTO on GUMO LGD/LGA pressure pad	Image D

A	B	C	D

OVERVIEW	LIFTO 35-55	LIFTO 55-95	LIFTO 95-135	Adapter A20	Adapter A40	Adapter A60	Adapter A80
35-55 mm	■						
55-95 mm		■					
95-135 mm			■				
135-175 mm			■		+1		
175-215 mm			■				+1
215-255 mm			■		+1		+1
255-295 mm			■				+2
*115-155 mm			■	+1			
*155-195 mm			■			+1	
Dimensions:	Baseplate Ø 167 mm   70 mm support plate diameter			+ 20 mm height	+ 40 mm height	+ 60 mm height	+ 80 mm height
Material:	PP polypropylene Recycled black   UV and weather resistant						
Accessories:	UNIA 4.2 x 22 mm for fastening the pedestals to a wooden or aluminium substructure RELO A adapter for screwless fastening of the pedestals to RELO substructure joists GUMO LGD/LGA pressure distribution pad for flat roof / LGA for aluminium foil						

\* Intermediate height