

# LIFTO

## ADJUSTABLE PEDESTAL



Terrace substructures made of wood, wood-based materials or aluminium are simply, quickly and precisely levelled with the **LIFTO** terrace pedestal.

The continuously variable height adjustment offers millimetre accuracy allowing timesaving benefits and an easy assembly process.

Height differences of 35-135 mm can be extended to 295 mm with simple height adapters.

The X-shaped base plate is variable in position and secure in place. The special shape allows for close edge positioning, for example against a wall, or for close alignment of parallel joists when connecting board ends. The X-shaped base plate is easy to use and has advantages over standard round base plates.

The high load-bearing capacity of the LIFTO pedestal is achieved through reinforced tubular walls, precision moulded threads and connection adapters. This ensures a durable and stable base.

| LIFTO 35 - 55 mm |             |
|------------------|-------------|
| PU               | Prod. No.   |
| 10 PCS           | 005511000   |
| 30 PCS           | 005513000   |
| 125 PCS          | 005514000*  |
| 200 PCS          | 005515001** |

| LIFTO 55 - 95 mm |             |
|------------------|-------------|
| PU               | Prod. No.   |
| 90 PCS           | 005514015*  |
| 150 PCS          | 005515010** |

| LIFTO 95 - 135 mm |             |
|-------------------|-------------|
| PU                | Prod. No.   |
| 60 PCS            | 005514015*  |
| 120 PCS           | 005515015** |

| LIFTO A20 mm |            |
|--------------|------------|
| PU           | Prod. No.  |
| 10 PCS       | 005604000  |
| 60 PCS       | 005611000  |
| 650 PCS      | 005600001* |

| LIFTO A60 mm |            |
|--------------|------------|
| PU           | Prod. No.  |
| 5 PCS        | 033004000  |
| 20 PCS       | 033011000  |
| 250 PCS      | 033014000* |

| LIFTO A40 mm |            |
|--------------|------------|
| PU           | Prod. No.  |
| 5 PCS        | 005704000  |
| 30 PCS       | 005711000  |
| 350 PCS      | 005700001* |

| LIFTO A80 mm |            |
|--------------|------------|
| PU           | Prod. No.  |
| 5 PCS        | 033105000  |
| 16 PCS       | 033111000  |
| 175 PCS      | 033114000* |



**BRANDING**  
Custom branding upon request

\* No branding possible  
\*\* Pedestals not pre-assembled

### DOWNLOADS



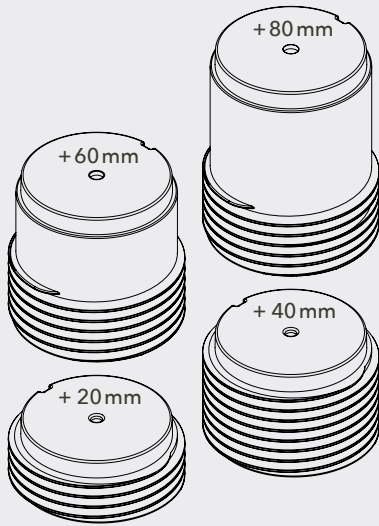
Data sheet



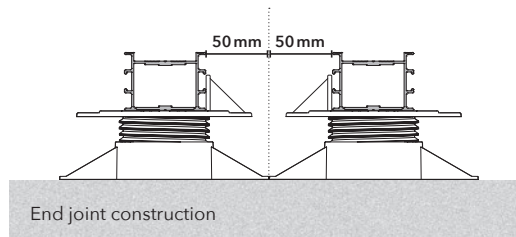
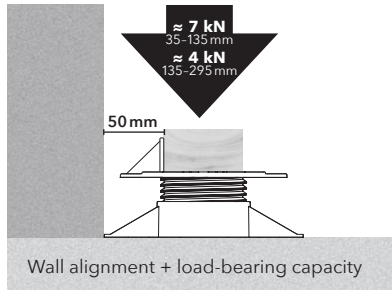
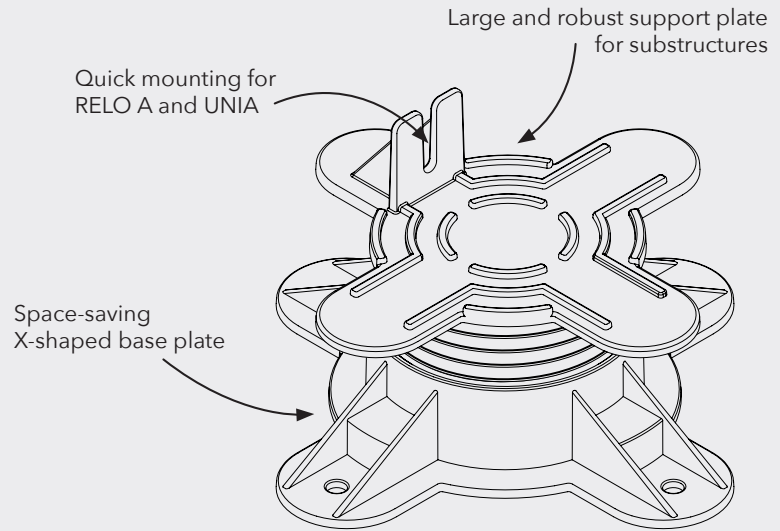
Tips & Tricks



Video



Simple intermediate adapters, for extending the height adjustment, provide maximum flexibility in assembly and storage



| Application | Concrete foundation / stone slabs | Position LIFTO directly on foundation or stone slabs | Image A |
|-------------|-----------------------------------|--|---------|
|             | Gravel or crushed stone           | Position LIFTO on compacted concrete slabs           | Image B |
|             | Soil                              | Position LIFTO on compacted concrete slabs           | Image C |
|             | Insulated flat roofs              | Position LIFTO on GUMO LGD/LGA pressure pad          | Image D |

| A | B | C | D |
|---|---|---|---|
|   |   |   |   |

| OVERVIEW            | LIFTO 35-55   | LIFTO 55-95 | LIFTO 95-135 | Adapter A20    | Adapter A40    | Adapter A60    | Adapter A80    |
|---------------------|---|-------------|--------------|----------------|----------------|----------------|----------------|
| 35-55 mm            | ■   |             |              |                |                |                |                |
| 55-95 mm            |   | ■           |              |                |                |                |                |
| 95-135 mm           |   |             | ■            |                |                |                |                |
| 135-175 mm          |   |             | ■            |                | +1             |                |                |
| 175-215 mm          |   |             | ■            |                |                |                | +1             |
| 215-255 mm          |   |             | ■            |                | +1             |                | +1             |
| 255-295 mm          |   |             | ■            |                |                |                | +2             |
| *115-155 mm         |   |             | ■            | +1             |                |                |                |
| *155-195 mm         |   |             | ■            |                |                | +1             |                |
| <b>Dimensions:</b>  | Baseplate Ø 167 mm   70 mm support plate diameter   |             |              | + 20 mm height | + 40 mm height | + 60 mm height | + 80 mm height |
| <b>Material:</b>    | PP polypropylene Recycled black   UV and weather resistant  |             |              |                |                |                |                |
| <b>Accessories:</b> | UNIA1 4.2 x 22 mm for fastening the pedestals to a wooden or aluminium substructure<br>RELO A adapter for screwless fastening of the pedestals to RELO substructure joists<br>GUMO LGD/LGA pressure distribution pad for flat roof / LGA for aluminium foil |             |              |                |                |                |                |

\* Intermediate height