

LIGO

DECKING CONNECTOR



The **LIGO C**, **LIGO S** and **LIGO N** decking connectors ensure quick and easy installation of side-grooved, dimensionally stable wood or composite decking.

The decking board is clamped to the substructure with one screw through the side groove using the decking connector.

The oval-shaped joint spacers ensure an even joint spacing and can compensate swelling movements up to 2 mm per board.

The joint spacers also serve as a quick-fit guide for the mounting plate, which can be adjusted automatically to the position of the groove.

LIGO N and LIGO S are equipped with a stainless steel groove plate. LIGO C has a plastic groove plate with a reinforced screw zone for optimum force distribution into the groove of the boards.

Recommended substructure:
 Preferably softwood such as larch, Douglas fir, thermo pine, thermo spruce or wood of similar density as well as RELO N aluminium substructure joists.

LIGO N with UNIA1		
Description	PU	Prod. No.
4,8x34 mm	80 PCS	013905003
4,8x34 mm	400 PCS	013912003
4,8x47 mm	80 PCS	013905000
4,8x47 mm	400 PCS	013912000

LIGO S with UNIA1		
Description	PU	Prod. No.
4,8x34 mm	80 PCS	014005002
4,8x34 mm	400 PCS	014012001
4,8x47 mm	80 PCS	014005000
4,8x47 mm	400 PCS	014012000

LIGO C with UNIA1		
Description	PU	Prod. No.
4,8x34 mm	80 PCS	012905000
4,8x47 mm	80 PCS	012905001

LIGO C with UNIA4		
Description	PU	Prod. No.
4,8x34 mm	80 PCS	012905020
4,8x47 mm	80 PCS	012905021

LIGO C with System screw UNIA4 stainless steel A4 for terraces near coastal regions and around pools



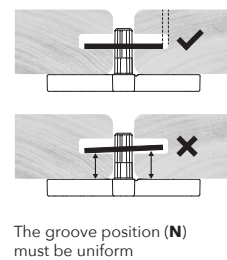
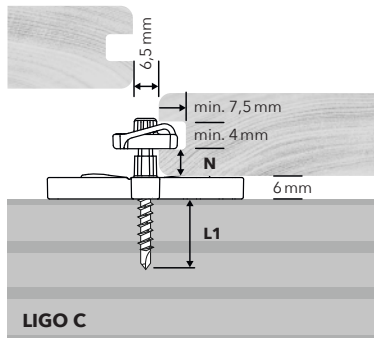
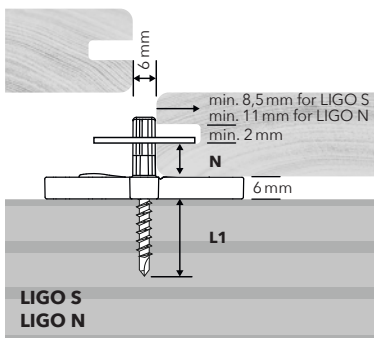
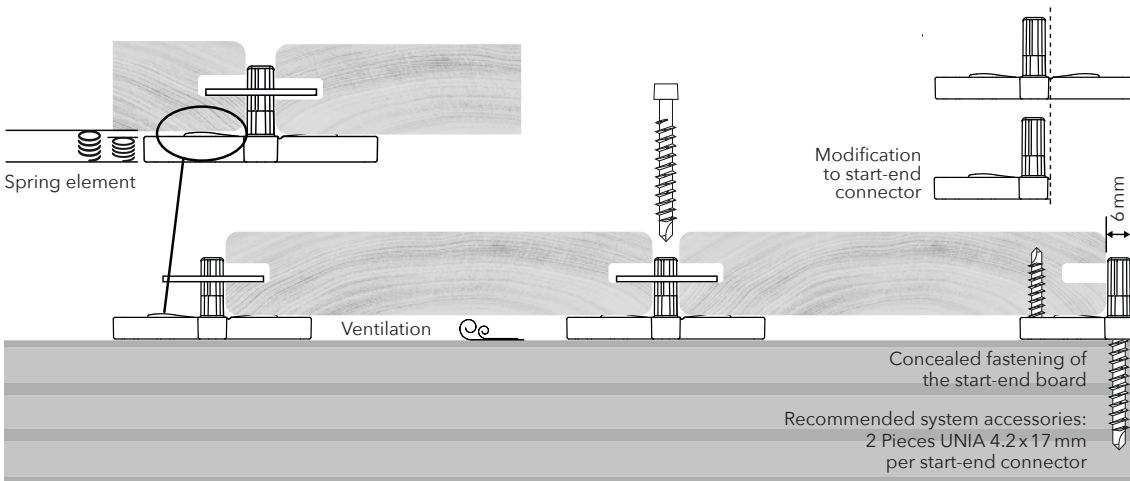
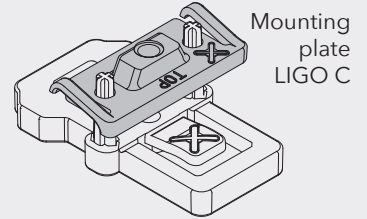
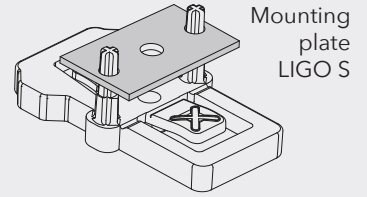
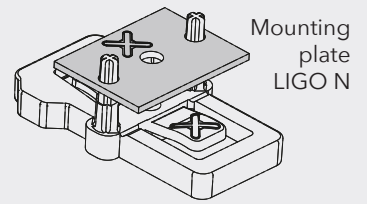
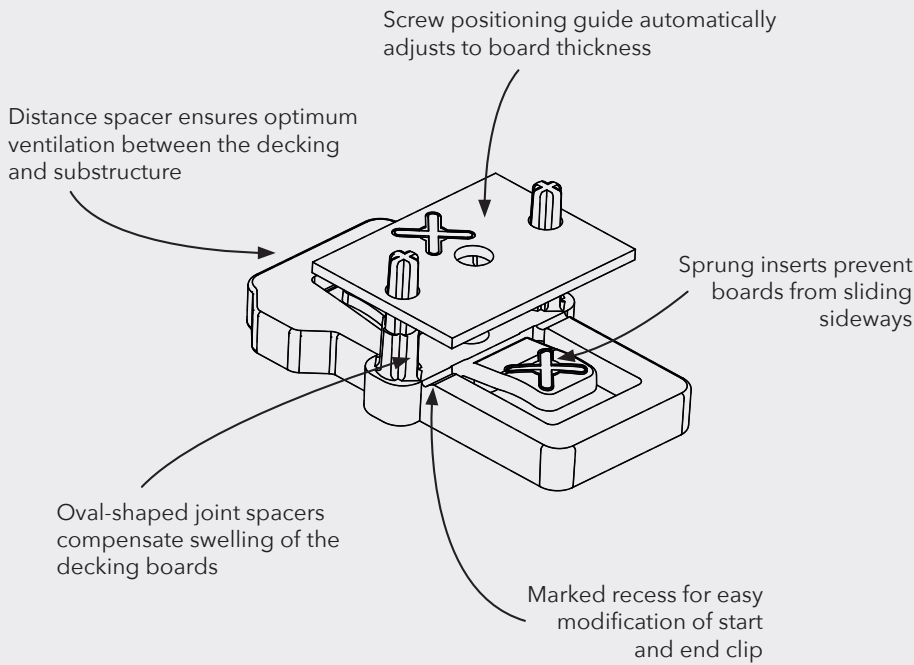
SET-PACK

Each packaging contains the screws required for installation, UNIA system screws and assembly instructions



BRANDING
 Custom branding upon request





DOWNLOADS



Installation



Board exchange



Data sheet



Tips & Tricks



Video

OVERVIEW	LIGO S N with UNIA 4.8x34 mm				LIGO S N with UNIA 4.8x47 mm				LIGO C with UNIA 4.8x34 mm				LIGO C with UNIA 4.8x47 mm			
N (mm)	6-7	8-9	9.5-10.5	11-12	6-7	8-9	9.5-10.5	11-12	6-7	8-9	9.5-10.5	11-12	6-7	8-9	9.5-10.5	11-12
L1 (mm)	20	18	17	15	33	31	30	28	18	16	14	13	31	29	27	26
RELO N	■	■	■	■					■	■	■					
Substructure													■	■	■	■
Wood					■	■	■	■					■	■	■	■
Substructure																
	■ Compatible substructure Screw-in depths L1: RELO N min. 14.5 mm max. 29 mm Wood min. 26 mm															
Dimensions:	Distance spacer: Length 55 mm Width 32 mm Height 6,0 mm								Joint spacing LIGO S and LIGO N 6.0 mm LIGO C 6.5 mm							
Mounting plate:	LIGO S: L 32mm W 19mm H 1,5mm Stainless steel black				LIGO N: L 32mm W 24mm H 1,5mm Stainless steel black				LIGO C: L 40 mm W 18 mm H 4,0mm PP Polypropylene Recycled black UV and weather resistant							
Material:	Distance spacer: ABS thermoplastic Recycled black UV and weather resistant System screw: UNIA1 Hardened stainless steel with black surface coating UNIA4 A4 stainless steel with black surface coating															
Fastening type:	Concealed sliding point fixation															
Decking profile:	Dimensionally stable and modified wood species with side grooved profiled decking boards															