

# LIGO S

DECKING CONNECTOR



# LIGO S DETAILS

The **LIGO S** decking connector guarantees fast and easy installation for side grooved modified, dimensionally stable wood species or composite decking boards.

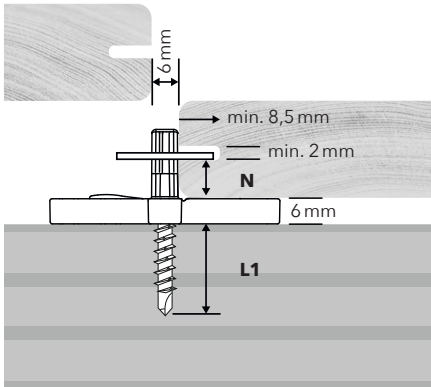
The decking board is clamped to the substructure via the lateral groove through a stainless steel mounting plate with 6.5 mm groove engagement depth with only one screw connection.

The oval-shaped joint spacers ensure an even joint spacing and can compensate swelling movements up to 2.0 mm per board. The joint spacers also serve as a quick-fit guide for the mounting plate, which can be adjusted automatically to the position of the groove.

The 6 mm distance spacer ensures optimum ventilation and prevents the formation of water and dirt accumulation between the decking boards and substructure.

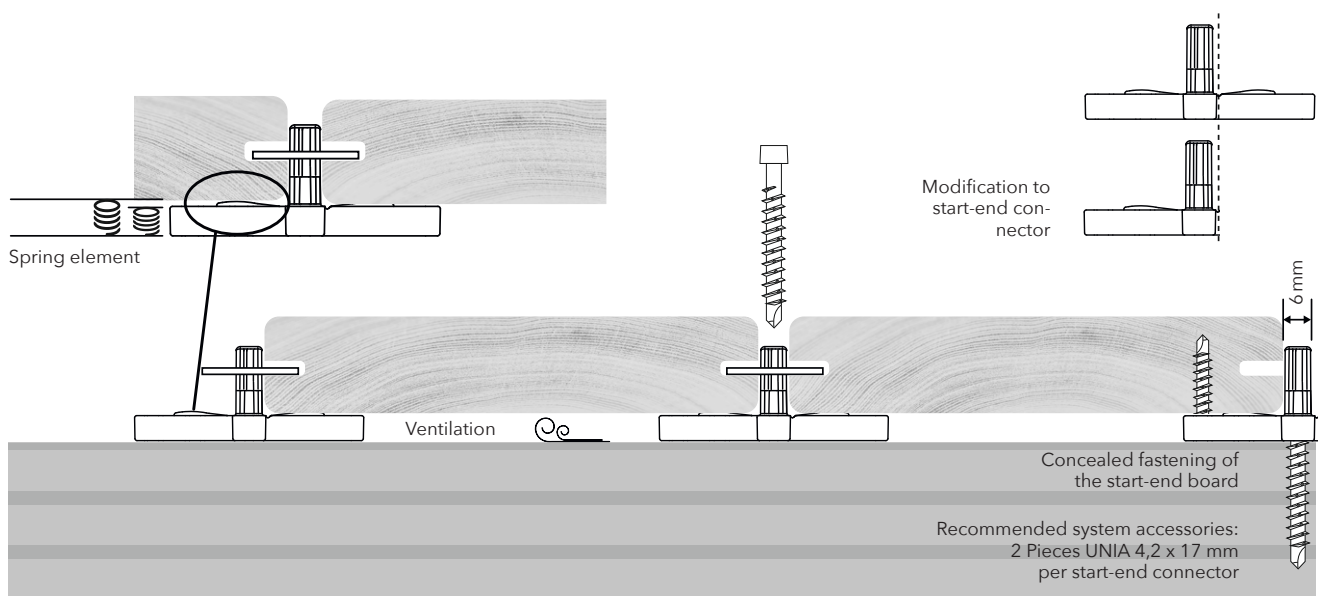
The integrated tension sprung points contribute to a secure connection preventing unwanted noise and increases walking comfort.

Recommended substructures:  
 Preferably softwoods such as larch, douglas fir, thermo-pine, thermo-spruce or woods with similar densities. RELO N36 substructure rail made of aluminium.

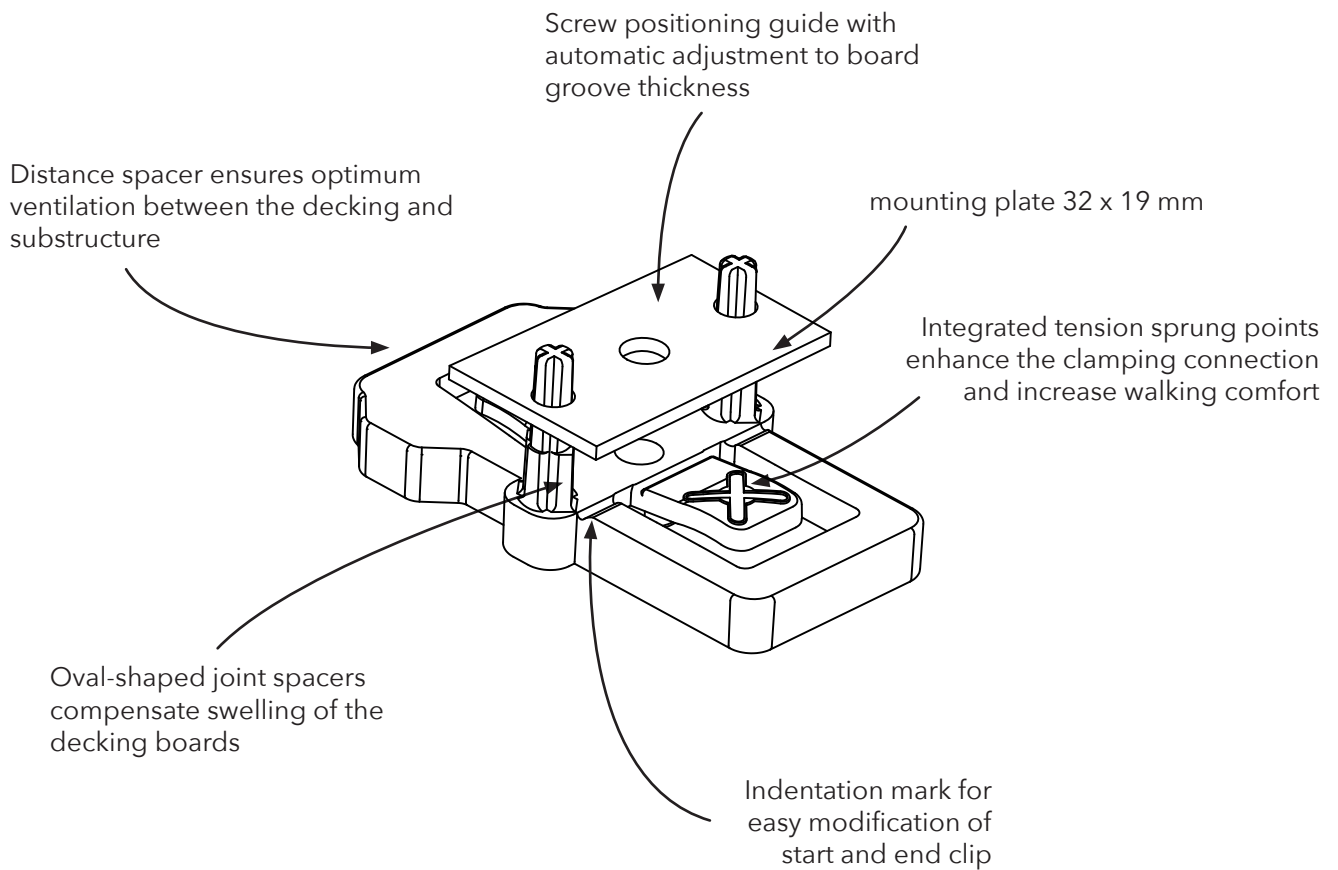


MODEL	LIGO S34						LIGO S47					
Dimensions	UNIA 4,8 x 34 mm						UNIA 4,8 x 47 mm					
N [mm]	6	8	9	10	11	12	6	8	9	10	11	12
L1 [mm]	20,5	18,5	17,5	16,5	15,5	14,5	33,5	31,5	30,5	29,5	28,5	27,5
RELO N	■	■	■	■	■	■						
WOODEN sub.							■	■	■	■	■	■

- Compatible substructures
  - RELO N36 aluminium system rail with integrated screw channel
  - Wooden substructures made of softwoods such as larch, douglas fir, thermo spruce, thermo pine, ...

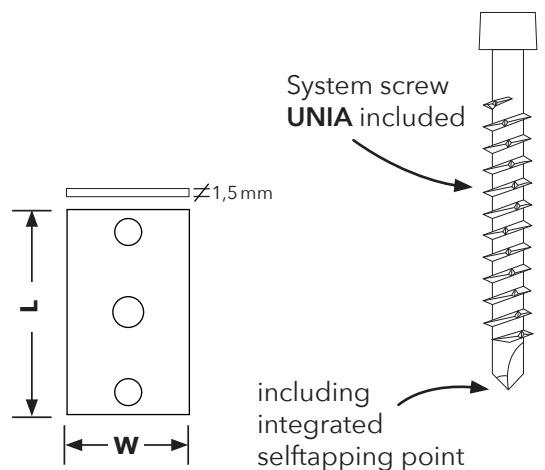


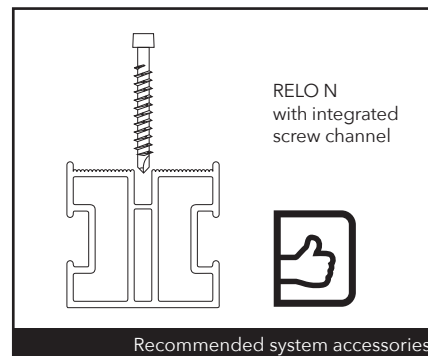
# LIGO S HIGHLIGHTS



## OVERVIEW

<b>Fixing:</b>	concealed system
<b>Fixing type:</b>	sliding point - sliding point
<b>Space distance:</b>	6,0 mm
<b>Decking board:</b>	For modified and dimensionally stable wood species or composite boards with lateral side grooves
<b>Dim. Groove plate:</b>	L 32 mm   W 19 mm
<b>Material Groove plate:</b>	stainless steel with black Surface coating
<b>Material distance spacer:</b>	ABS plastic black
<b>Board replacement:</b>	possible
<b>UNIA drilling capacity:</b>	ca. 3 mm thick Aluminium
<b>Special feature:</b>	easy modification to the starter and end clip





FEATURES							
Instructions	Data sheet	Tips & Tricks	SET Pack	Groove profile	Display stand	Branding	Stainless steel

Product No.	Description 1	Description 2	Packing Unit	EAN-13 Code	Weight per PU	Customs tariff no.
014005002	LIGO S34 decking connector	stainless steel black	PU 80 PCS	9009941015419	1,350 kg	7326 90 98
014012001	LIGO S34 decking connector	stainless steel black	PU 400 PCS	9009941015433	6,300 kg	7326 90 98

Included in every package are the required UNIA1 system screws 4,8 x 34 mm and instructions

Product No.	Description 1	Description 2	Packing Unit	EAN-13 Code	Weight per PU	Customs tariff no.
014005000	LIGO S47 decking connector	stainless steel black	PU 80 PCS	9009941015402	1,420 kg	7326 90 98
014012000	LIGO S47 decking connector	stainless steel black	PU 400 PCS	9009941015426	7,400 kg	7326 90 98

Included in every package are the required UNIA1 system screws 4,8 x 47 mm and instructions

Product No.	Description 1	Description 2	Packing Unit	EAN-13 Code	Weight per PU	Customs tariff no.
012605000	BASO spacer	joint distance 6 mm	PU 100 PCS	9009941011084	0,830 kg	3926 90 97