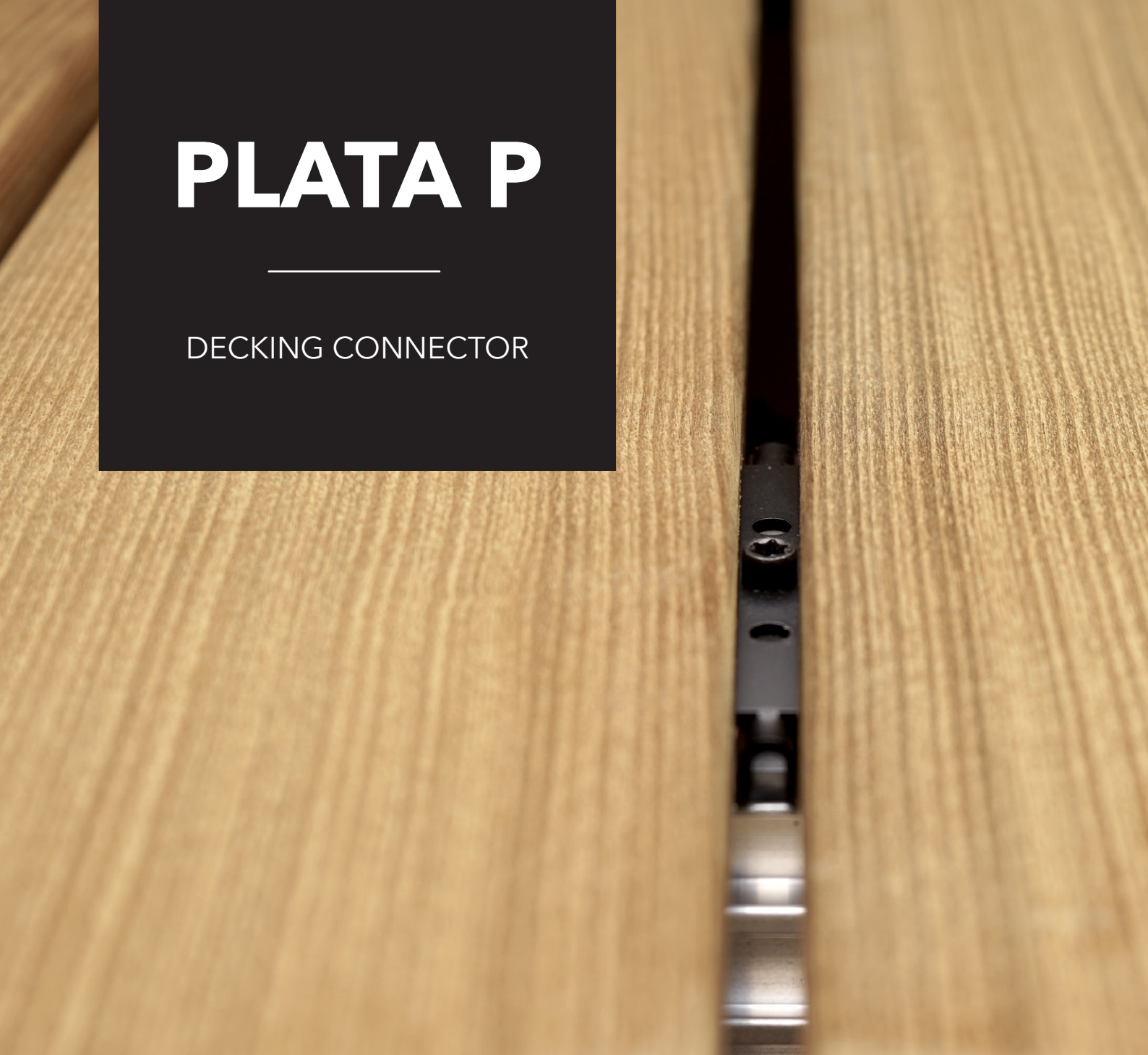


PLATA P

DECKING CONNECTOR



PLATA P DETAILS

The **PLATA P** decking connector guarantees fast and easy installation for side grooved modified, dimensionally stable wood species or composite decking boards.

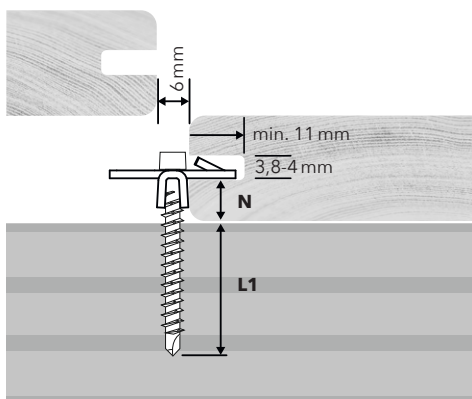
The decking board is mounted to the substructure via the lateral groove through the 65 mm long stainless steel decking connector using only one screw fixation.

The U-shaped joint spacers ensure uniform joint spacing and can compensate swelling movements of up to 2.0 mm per board.

Two integrated locking grips for groove heights of 3.8-4.0 mm securely engage the groove for ease of assembly.

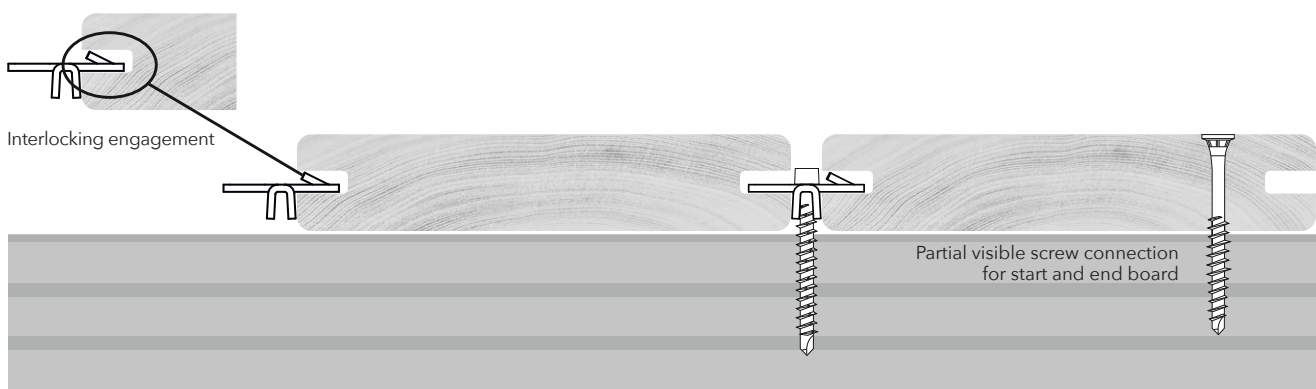
The 65 mm long decking connector covers and protects the substructure.

Recommended substructures:
 Preferably softwoods such as larch, douglas fir, thermo-pine, thermo-spruce, or woods with similar densities. RELO N36 substructure rail made of aluminium.

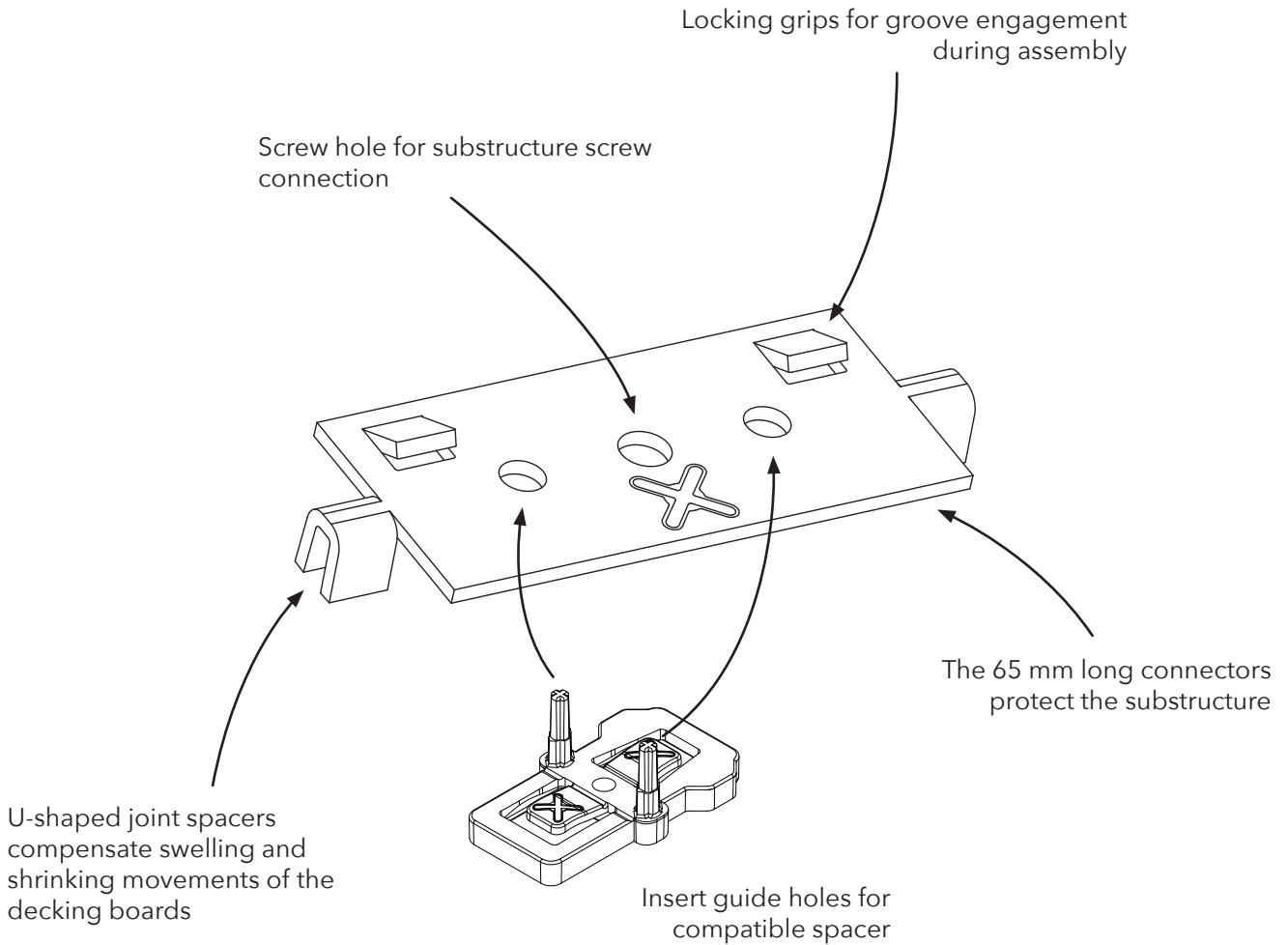


MODEL Dimensions	PLATA P34 UNIA 4,8 x 34 mm						PLATA P47 UNIA 4,8 x 47 mm					
	6	8	9	10	11	12	6	8	9	10	11	12
N [mm]												
L1 [mm]	26,5	24,5	23,5	22,5	21,5	20,5	39,5	37,5	36,5	35,5	34,5	33,5
RELO N	■	■	■	■	■	■						
WOODEN sub.							■	■	■	■	■	■

- Compatible substructures
 - RELO N36 aluminium system rail with integrated screw channel
 - Wooden substructures made of softwoods such as larch, douglas fir, thermo spruce, thermo pine, ...

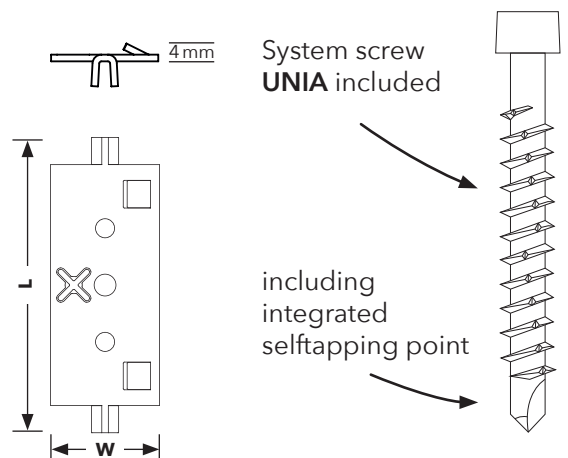


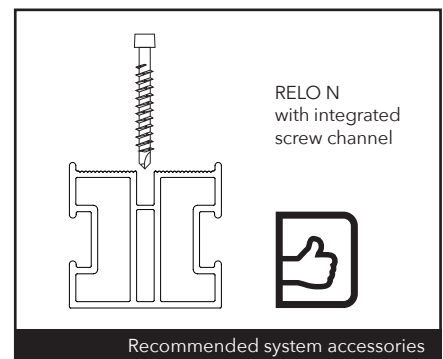
PLATA P HIGHLIGHTS



OVERVIEW

Fixing:	concealed system
Fixing type:	sliding point - sliding point
Space distance:	6,0 mm
Decking board:	For modified and dimensionally stable wood species or composite boards with lateral side grooves
Dimensions	
Groove plate:	L 65 mm W 24 mm
Spring elements:	For 3,8 - 4,0 mm Groove engagement height
Board replacement:	possible
Material:	stainless steel with black Surface coating
UNIA drilling capacity:	ca. 3 mm thick Aluminium
Special feature:	Compatible with distance spacer





FEATURES

								
Instructions	Data sheet	Tips & Tricks	Video	SET Pack	Groove profile	Display stand	Branding	Stainless steel

Product No.	Description 1	Description 2	Packing Unit	EAN-13 Code	Weight per PU	Customs tariff no.
013304002	PLATA P34 decking connector	stainless steel black	PU 100 PCS	9009941011633	2,010 kg	7326 90 98
Included in every package are the required UNIA1 system screws 4,8 x 34 mm and instructions						

Product No.	Description 1	Description 2	Packing Unit	EAN-13 Code	Weight per PU	Customs tariff no.
013304003	PLATA P47 decking connector	stainless steel black	PU 100 PCS	9009941011664	2,100 kg	7326 90 98
Included in every package are the required UNIA1 system screws 4,8 x 47 mm and instructions						