

PROFILA

METAL PROFILE SELF-TAPPING SCREW



PROFILA PROFILA self-tapping screws are suitable for fixing wood or wood-like materials to aluminium or steel substructures.

The special design of the self-tapping point, combined with the thread, provides a perfect hold without pre-drilling the metal profiles.

To ensure that the PROFILA screw can rotate freely in the board to be joined and reach the required speed (similar to a metal drill), the board should be pre-drilled with a 5.5 mm diameter hole.

The geometry of the countersunk screw head has 3 steps which permit a perfect precise flush finish.

PROFILA2 Metal self-tapping Screws are ideal for visible fixing of decking boards to aluminium substructures. The resilient A2 austenitic stainless-steel screws can absorb natural swelling and shrinking movements of the decking boards.

€ according to DIN EN 14592-2008

PROFILA1 Self-tapping screws are used for screw connections to steel profiles. The high-breaking torque version in hardened stainless steel can drill through steel profiles up to a wall thickness of 2.5 mm.

BRANDING
Custom branding
upon request

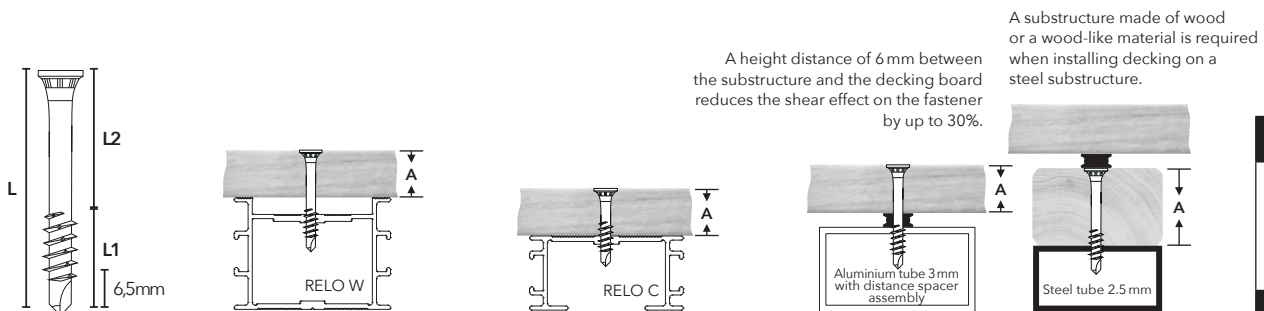
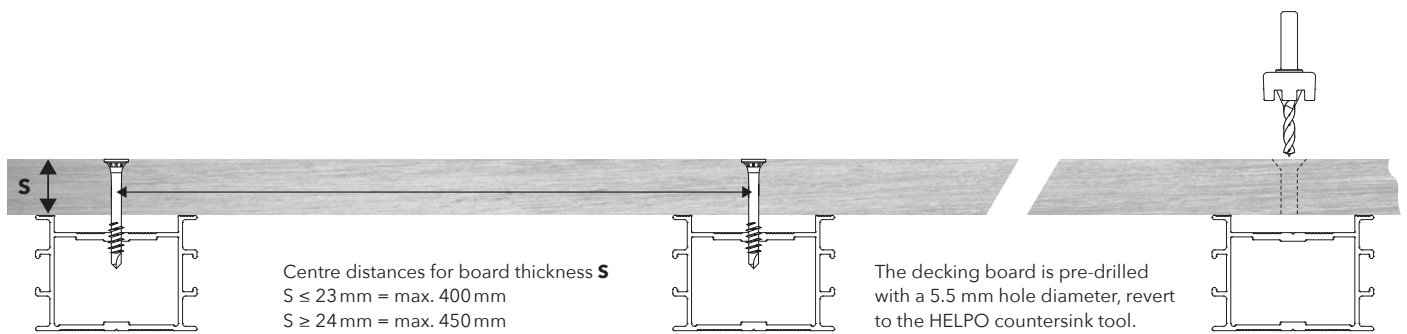
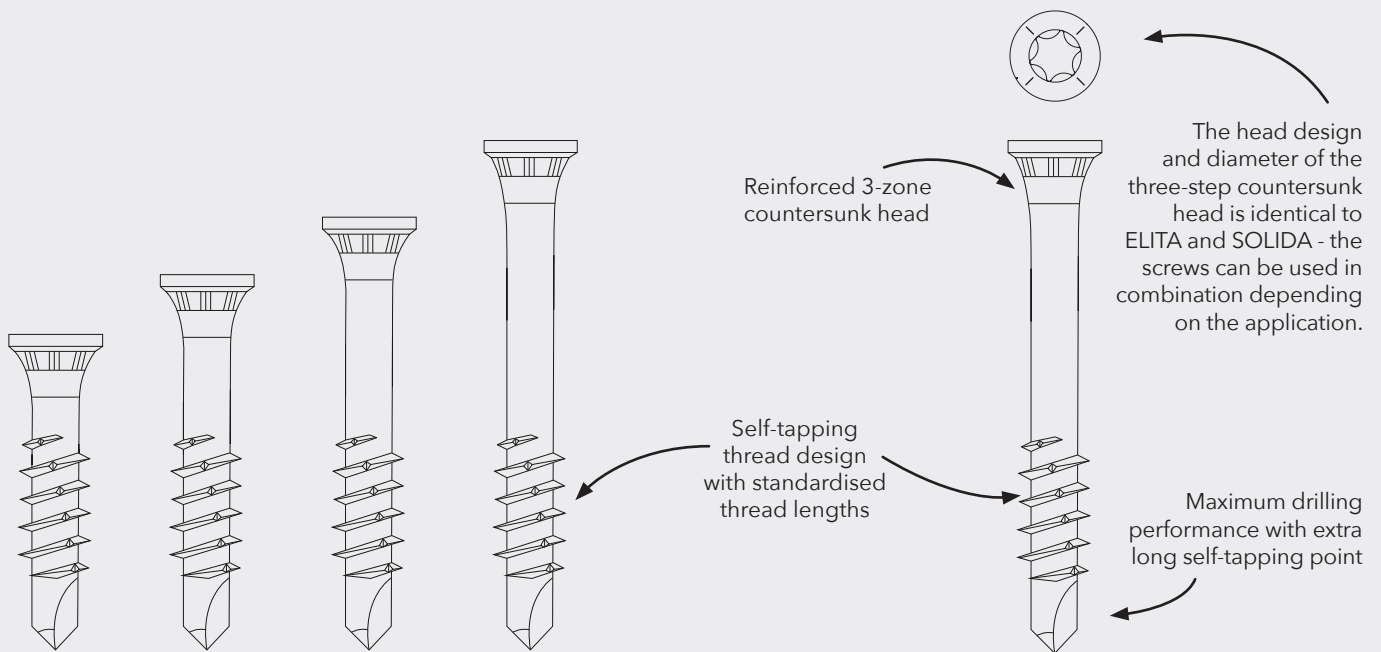


| PROFILA1 | | |
|-------------|---------|-----------|
| Description | PU | Prod. No. |
| 5.5x35 mm | 100 PCS | 004302000 |
| 5.5x35 mm | 200 PCS | 004303000 |
| 5.5x40 mm | 100 PCS | 004402000 |
| 5.5x40 mm | 200 PCS | 004403000 |
| 5.5x45 mm | 100 PCS | 004502000 |
| 5.5x45 mm | 200 PCS | 004503000 |
| 5.5x50 mm | 100 PCS | 004602000 |

| Description | PU | Prod. No. |
|-------------|---------|-----------|
| 5.5x50 mm | 200 PCS | 004603000 |
| 5.5x55 mm | 100 PCS | 004702000 |
| 5.5x55 mm | 200 PCS | 004703000 |
| 5.5x60 mm | 100 PCS | 004802000 |
| 5.5x60 mm | 200 PCS | 004803000 |
| 5.5x65 mm | 100 PCS | 004902000 |
| 5.5x65 mm | 200 PCS | 004903000 |

| PROFILA2 | | |
|-------------|---------|-----------|
| Description | PU | Prod. No. |
| 5.5x35 mm | 100 PCS | 019002000 |
| 5.5x35 mm | 200 PCS | 019003000 |
| 5.5x40 mm | 100 PCS | 019102000 |
| 5.5x40 mm | 200 PCS | 019103000 |
| 5.5x45 mm | 100 PCS | 019202000 |
| 5.5x45 mm | 200 PCS | 019203000 |
| 5.5x50 mm | 100 PCS | 019302000 |

| Description | PU | Prod. No. |
|-------------|---------|-----------|
| 5.5x50 mm | 200 PCS | 019303000 |
| 5.5x55 mm | 100 PCS | 019402000 |
| 5.5x55 mm | 200 PCS | 019403000 |
| 5.5x60 mm | 100 PCS | 019502000 |
| 5.5x60 mm | 200 PCS | 019503000 |
| 5.5x65 mm | 100 PCS | 019602000 |
| 5.5x65 mm | 200 PCS | 019603000 |



| OVERVIEW | | | PROFILA2 | | | | PROFILA1 |
|---------------------|----|----|---------------------------------|-------------------------|------------------------------|--------------------------------------|---------------------------------|
| Dimensions mm | | | RELO W Sub-structure | RELO C Sub-structure | RELO C with 6 mm distance | Aluminium tube with 6 mm distance | Steel sectional tube |
| L | L1 | L2 | A = Element to be connected | | | | A |
| 35 | 30 | 5 | 4-18 | 10-24 | 4-18 | 4-18 | 5-24 |
| 40 | 30 | 10 | 9-23 | 15-29 | 9-23 | 9-23 | 10-29 |
| 45 | 30 | 15 | 14-28 | 20-34 | 14-28 | 14-28 | 15-34 |
| 50 | 30 | 20 | 19-33 | 25-39 | 19-33 | 19-33 | 20-39 |
| 55 | 30 | 25 | 24-38 | 30-44 | 24-38 | 24-38 | 25-44 |
| 60 | 30 | 30 | 29-43 | 35-49 | 29-43 | 29-43 | 30-49 |
| 65 | 30 | 35 | 34-48 | 40-54 | 34-48 | 34-48 | 35-54 |
| Screw head diameter | | | 7,5 | | | | 7,5 |
| TX Drive | | | TX25 | | | | TX25 |
| Material | | | Stainless steel A2 1.4567 CE | | | | Hardened stainless steel 1.4006 |
| Drilling capacity | | | Aluminium up to 3.5 mm thick | | | | Steel up to 2.5 mm |

DOWNLOADS

Installation

Data Sheet

CE

Tips & Tricks