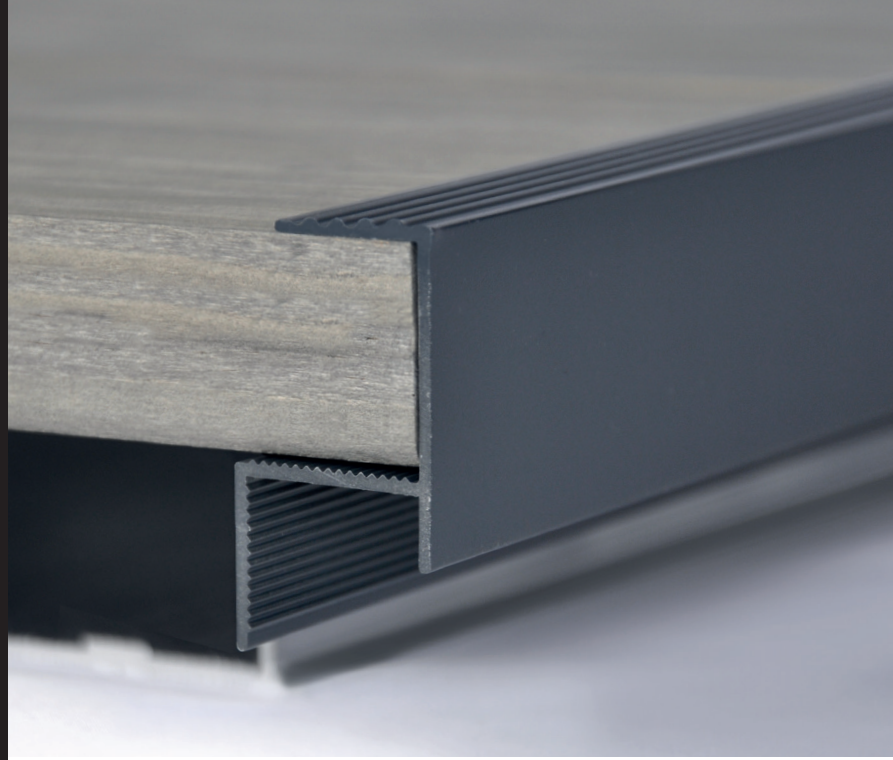
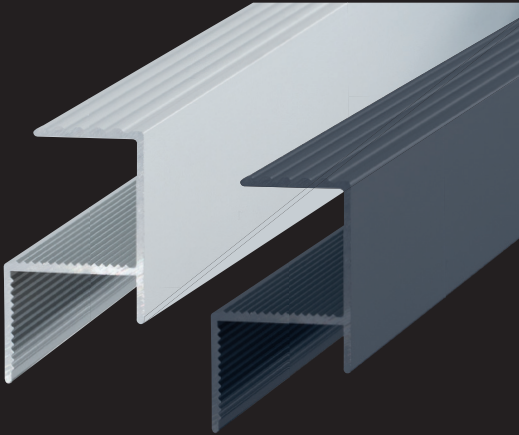


RELO RA

EDGE FINISHING TRIM



The **RELO RA** edge finishing trim profile is the perfect finishing touch and design feature for any terrace made of wood, wood-like materials or ceramic tiles.

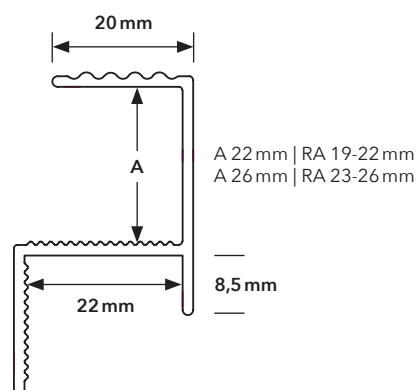
The simple installation and universal applications facilitate a wide range of possibilities: e.g. for pool border surrounds, stair treads, terrace borders with additional components such as the ventilation profile RELO V.

Made from high-grade aluminium with surface coating, the RELO RA protects exposed edges of decking boards, covers cut edges of ceramic tiles and conceals visible rough cuts.

The RELO RA profiles are glued at specific points in contact with ceramic tiles. For decking applications made of wood or wood-like materials, they can also be glued or screwed at specific points.

OVERVIEW

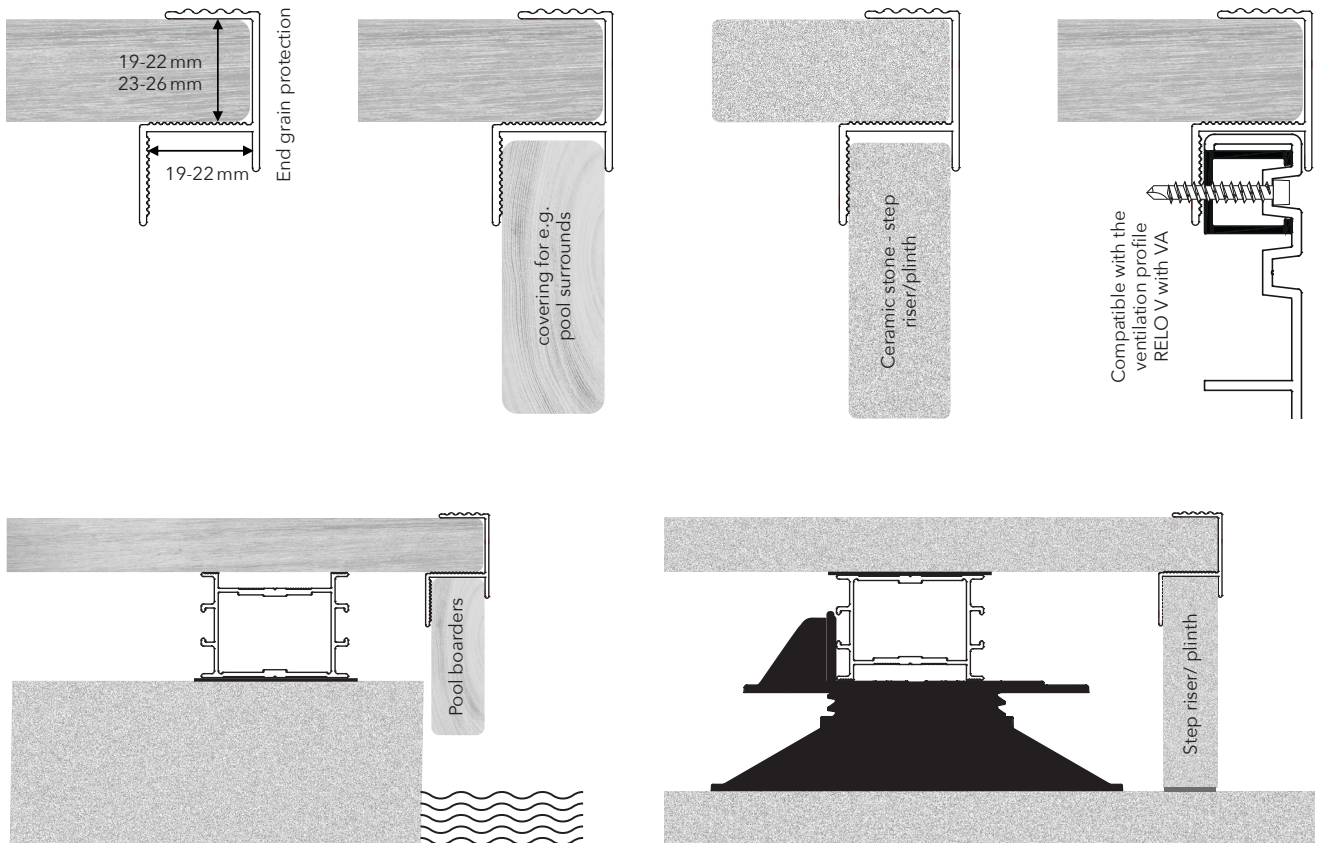
Dimensions:	Length 2.000 mm
Material:	Aluminium EN AW 6060
Surface:	Silver Anodized E6/EV1 RAL 7016



Anti-slip ribbed design with high-quality surface coating

Ribbed surface for strong glue adhesion

Riser/ fascia recess and housing for RELO V



RELO RA 19 - 22 mm | RAL 7016

PU	Prod. No.
10 PCS	035800000

RELO RA 23 - 26 mm | RAL 7016

PU	Prod. No.
10 PCS	035900000

RELO RA 19 - 22 mm

PU	Prod. No.
10 PCS	033400000

RELO RA 23 - 26 mm

PU	Prod. No.
10 PCS	033500000

DOWNLOADS



Data sheet



Tips & Tricks