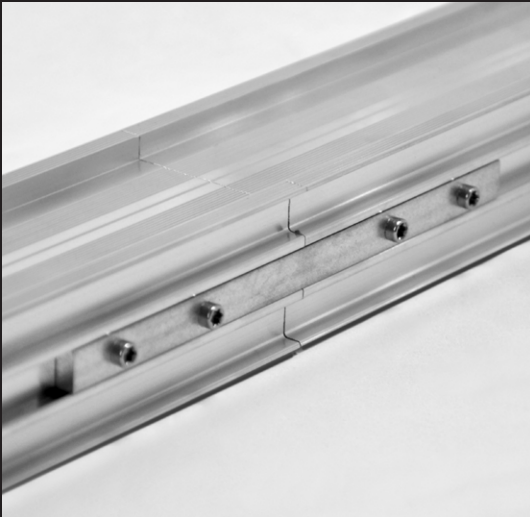
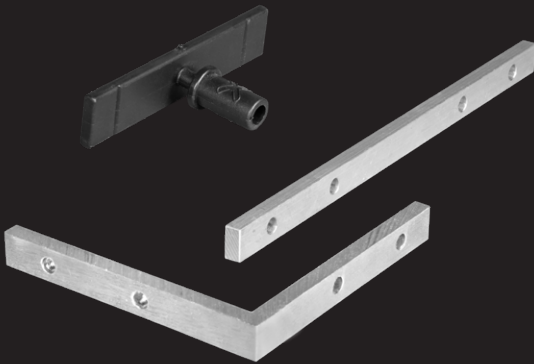


RELO

SYSTEM ACCESSORIES



The RELO system accessories enable a simple and rapid assembly of terrace substructures.

RELO E corner bracket enables securely fastened corner connections, e.g. for cross bracing in frame constructions.

At each connection point, the corner brackets are securely fastened on both sides of the substructure.

RELO L extension brackets permit continuous aligned length extensions of substructure joists. The length joist connections should be positioned directly over loadbearing points i.e. pedestals.

The extension brackets are mounted on both sides of the substructure.

RELO A adapter facilitates screwless installation of LIFTO adjustable pedestals on the substructure joist.

OVERVIEW	RELO E	RELO L	RELO A
Dimensions:	80 x 80 x 10 x 5 mm	160 x 10 x 5 mm	60 x 12 mm
Material:	Aluminium blank	Aluminium blank	PP Polypropylen recycled

DOWNLOADS



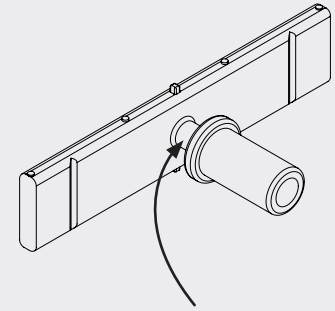
Data Sheet



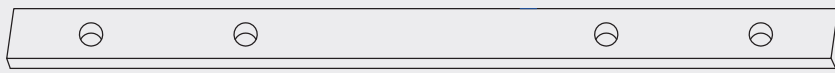
Tips & Tricks

RELO E offers an efficient solution for securing tangential corner connections

Rapid and automatic positioning into the RELO substructure joist

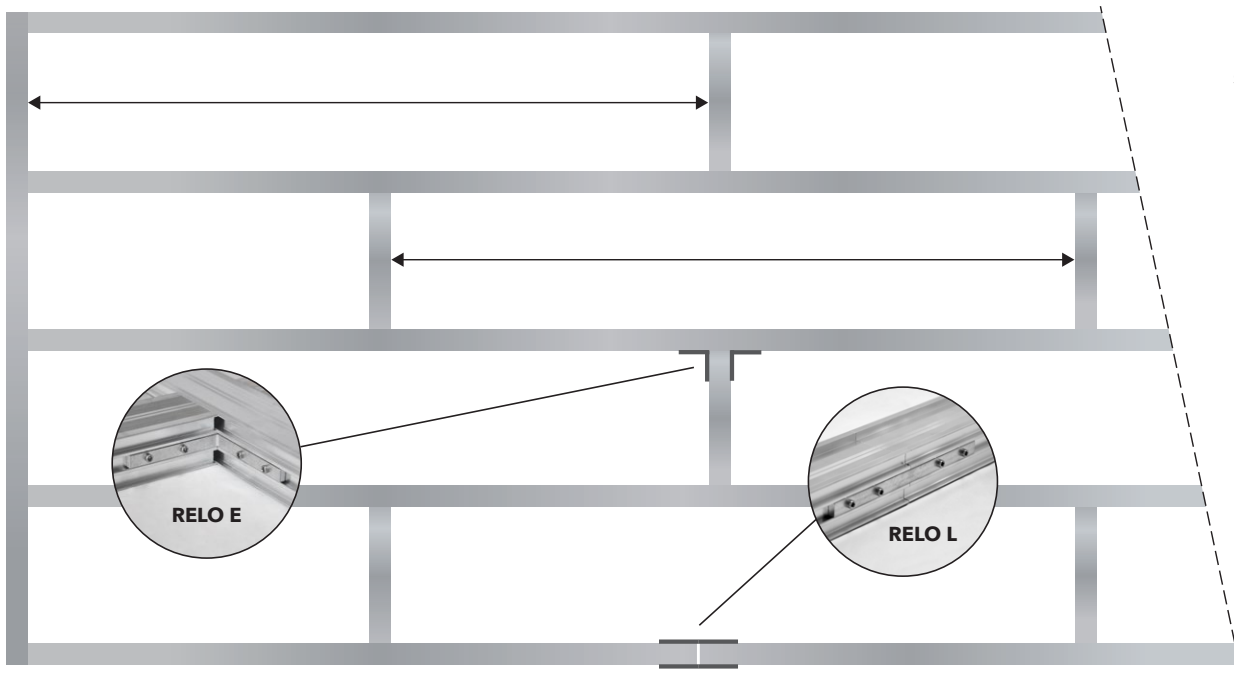


RELO A
Screwless installation of LIFTO pedestals



RELO L for continuous and offset-free lengthwise extensions of RELO substructures

Drilling for UNIA System screws 4,2x17 mm



RELO frame construction with securely fastened corner and lengthwise connections.

This design significantly simplifies the installation and alignment of the substructure.

RELO E corner bracket SET	
PU	Prod.No.
25 PCS	014603000
50 PCS	014603001

RELO L extension bracket SET	
PU	Prod.No.
25 PCS	014703000
50 PCS	014704001

RELO A adapter	
PU	Prod.No.
40 PCS	009603000

SET-PACK
Each package contains all the UNIA system screws required for mounting.

BRANDING
Custom branding upon request



RELO A