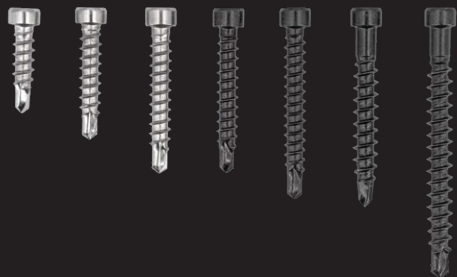


UNIA

SYSTEM SCREW



UNIA system screws are used for a wide range of fastening systems such as DILA, SUPRO, TIGA, KONEKTO, etc.

The distinctive self-tapping point reduces stress and prevents the wood from splitting on the visible side of the board when the screw is driven through the back side of the board.

The special design of the thread and the self-tapping point allows the screw to be driven directly into wood, wood-like materials and aluminium.

The unique cylinder head allows for secure screw connections in joints as small as 6 mm in width.

In the case of a visible screw connection, for example, the stainless steel system screw is finished with a black surface coating.

UNIA4 Made from A4 austenitic stainless steel, can withstand increased deformation forces and has high corrosion resistance, ideal for coastal applications.

UNIA1 is a universal hardened stainless steel screw for wood, wood-like materials and aluminium.

UNIA1		
Description	PU	Prod. No.
4,2x17 mm	200 PCS	010901001
4,2x22 mm	200 PCS	011001001
4,2x28 mm	100 PCS	014301000

UNIA1 black		
Description	PU	Prod. No.
4,2x28 mm	100 PCS	014301001
4,2x33 mm	100 PCS	014901001
4,8x34 mm	80 PCS	014101002
4,8x47 mm	80 PCS	014201002

UNIA4 black		
Description	PU	Prod. No.
4,8x34 mm	80 PCS	019801002
4,8x47 mm	80 PCS	019901002

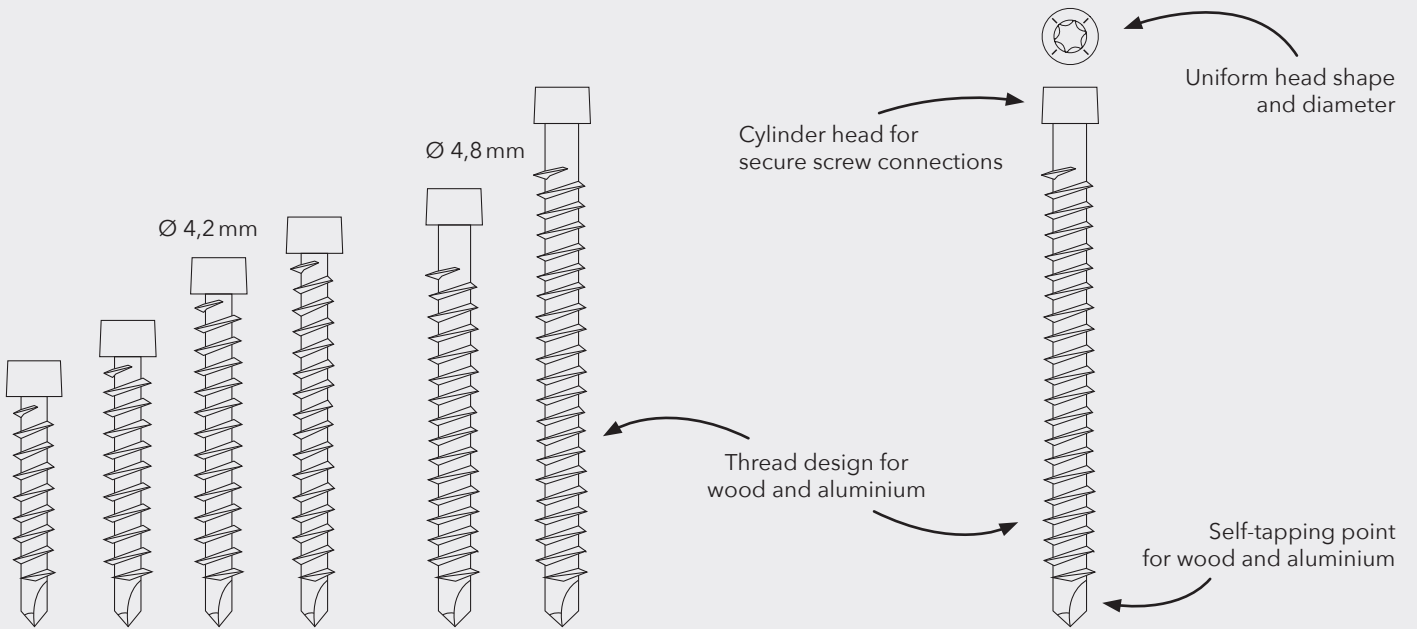
DOWNLOADS



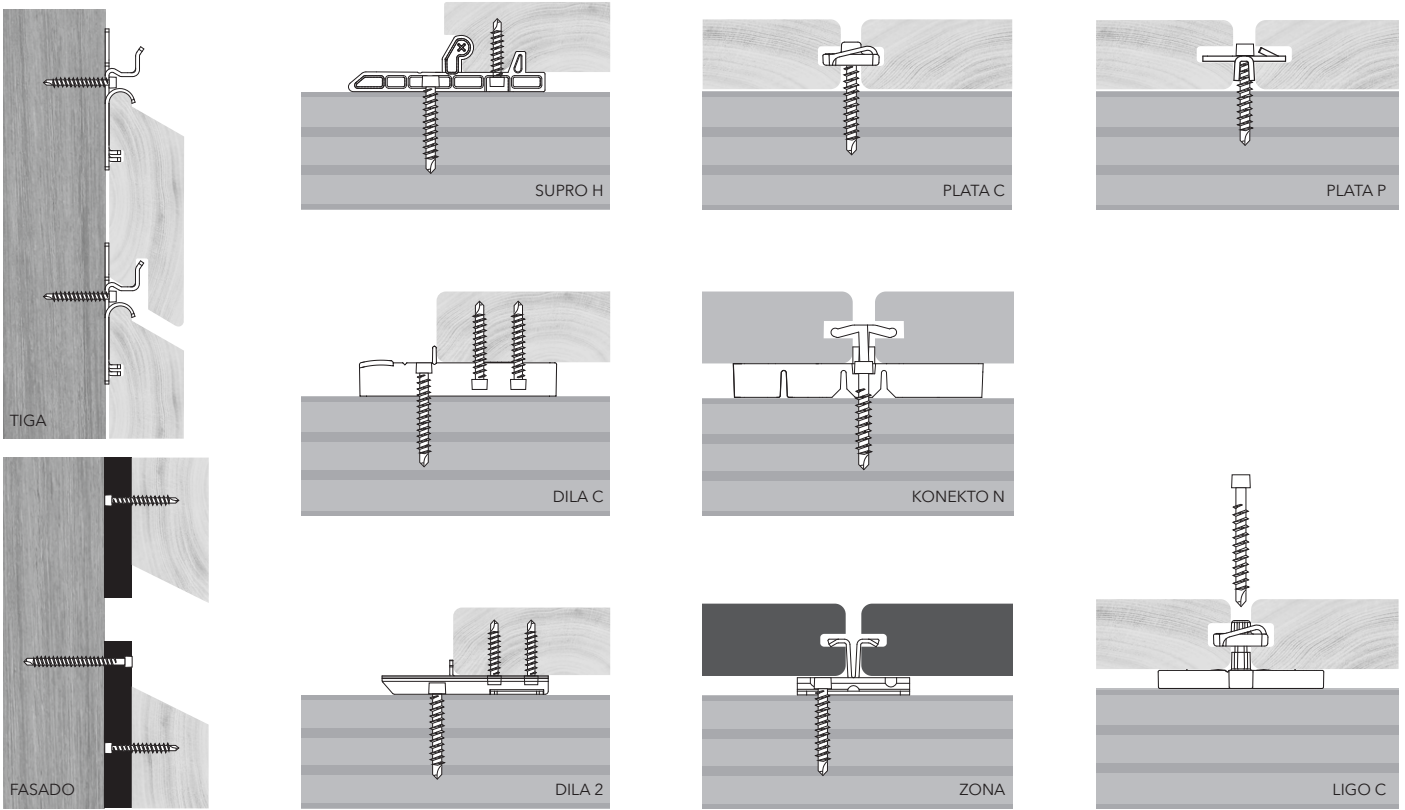
Data sheet



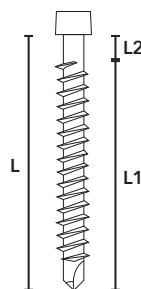
Tips & Tricks



APPLICATION EXAMPLES



OVERVIEW					
Dimensions mm			UNIA 1	UNIA 1	UNIA 4
L	L1	L2	Ø 4,2	Ø 4,8	Ø 4,8
17	16	1	■		
22	21	1	■		
28	27	1	■		
33	32	1	■		
34	28	6		■	■
47	41	6		■	■
Screw head diameter			5,8		
TX Drive			TX20		
Material			Hardened stainless steel 1.4006		Stainless steel A4 1.4401
Drilling capacity			Aluminium up to 3,0 mm		



Suitable for fastening plastics, light metals and thin sheet metals to wood and aluminium